

DO NOT SCALE DRAWING

| | | | |
|-----|----------|----|------|
| | | | |
| | | | |
| | | | |
| | | | |
| | | | |
| NO. | REVISION | BY | DATE |

☒ LOCATION FOR IMPACT TEST
SPECIFICATION—LENGTHS TO 3/8"

DRAWN FOR

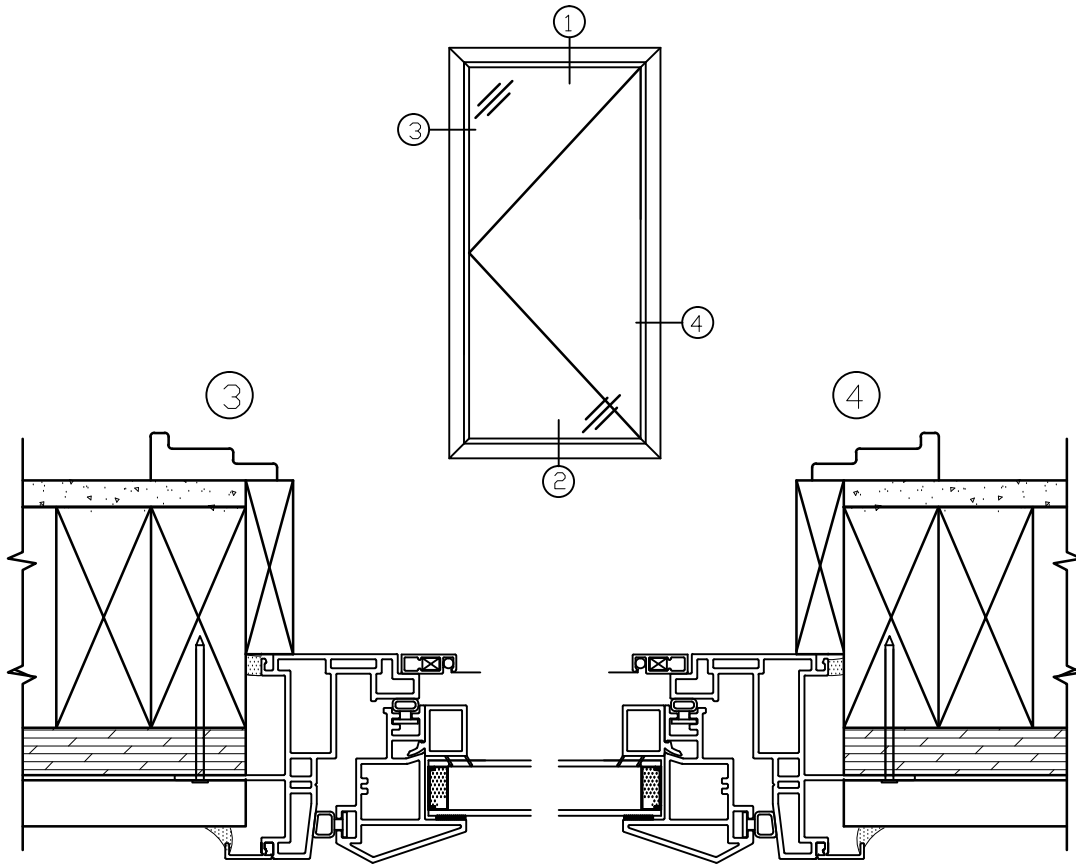
QUALITY LINEALS

BY DDS DESIGNS

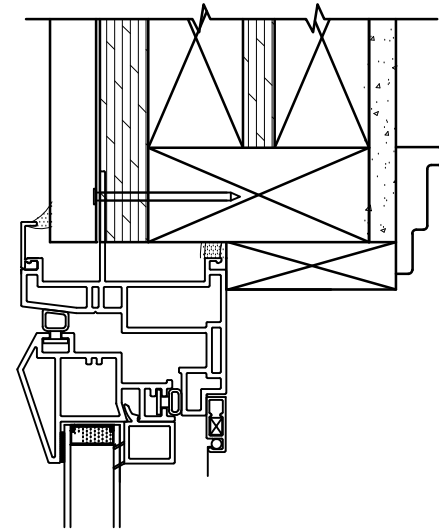
"OUR NAME SAYS IT ALL"

- 1) MATERIAL RIGID PVC.....
- 2) CAPSTOCK
- 3) UNSPECIFIED WALLS.....
- 4) BREAK ALL CORNERS..... R
- 5) AREA..... SQ. IN.
- 6) WT/FT..... LBS/FT

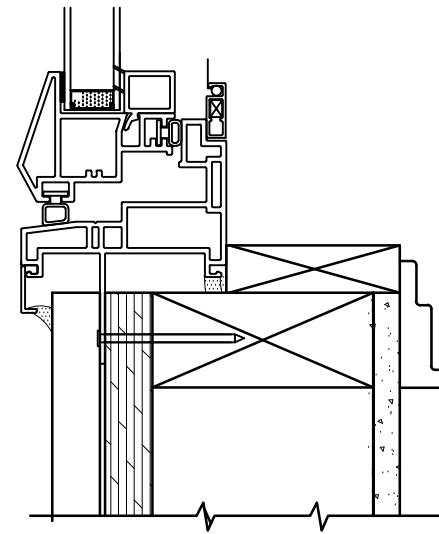
| | | | | |
|--|-------|------------------|---------|---------|
| TITLE CW300 WELD MAIN FRAME/WELDED SASH | | | | |
| DWN BY DDS | SCALE | DATE 02/28/12 | CHKD BY | APPD BY |
| COMPUTER NO | | | | |
| DWG NO CW300 CROSS SECTION | | | | |



CW300 CASEMENT
 NEW CONSTRUCTION WINDOW
 3/4" INSULATED GLASS
 NAILING FIN WITH 'J' CHANNEL




1



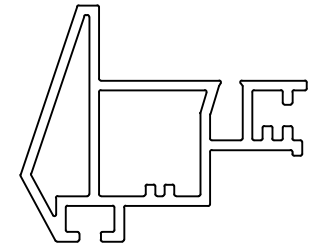
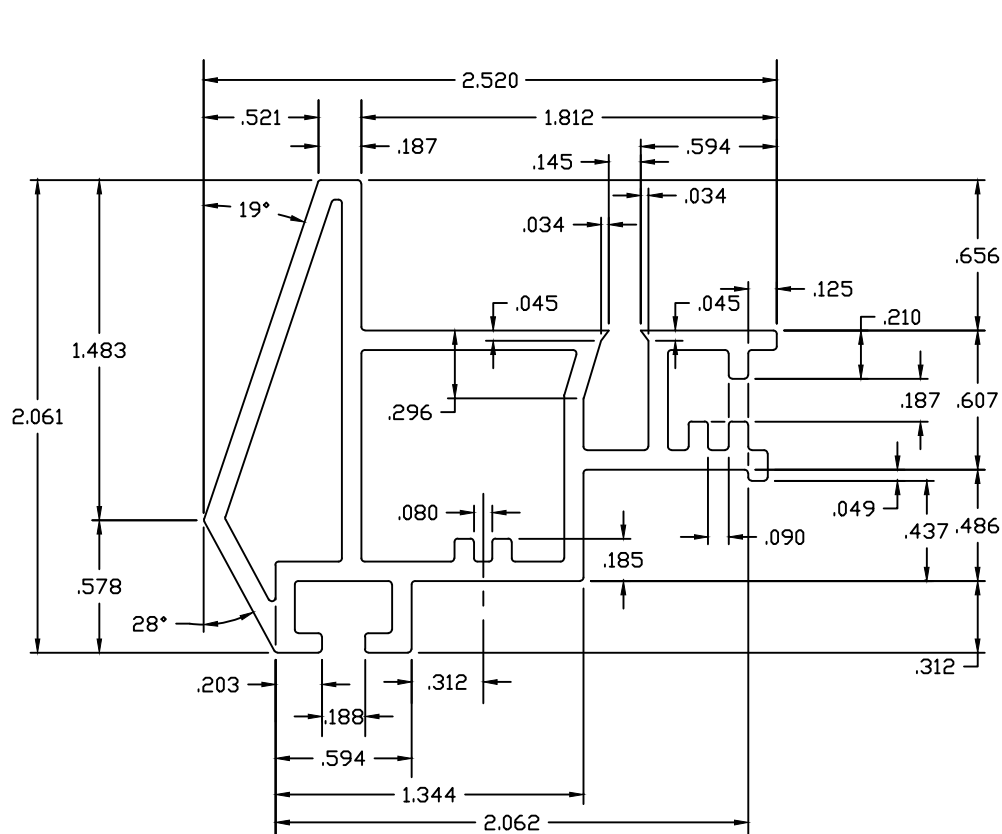
2

| | |
|------------|-------|
| PROJECT: | CW300 |
| LOCATION: | |
| ARCHITECT: | |
| G.C.: | |


 DRAWN FOR
 BY
 DDS
 DESIGNERS
 NORTHEAST
 WINDOWS
 DESIGNS

| REVISION DATES |
|----------------|
| △ |
| △ |
| △ |
| △ |
| △ |
| BY: |
| DATE: 05/05/21 |
| JOB# |
| DWG.# |

CW300



DO NOT SCALE DRAWING

☑ LOCATION FOR IMPACT TEST ALLOWABLE BOW MAX. 1" PER 14'
 SPECIFICATION LENGTHS TO ± 3/8" ANGULARITY TO BE ± 1/2

DRAWN FOR

QUALITY LINEALS

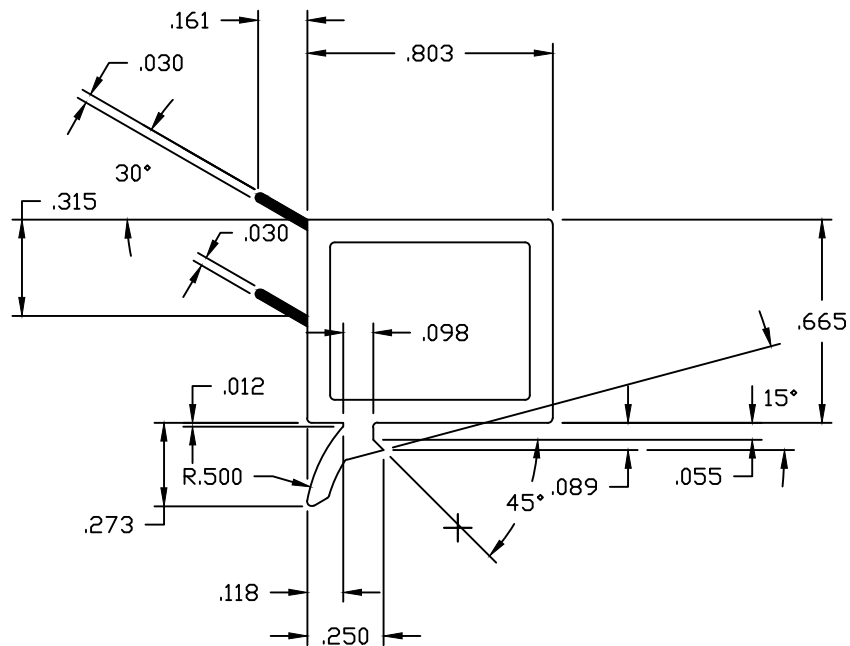
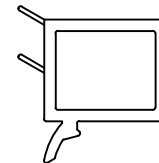
BY DDS
 DESIGNS

"OUR NAME SAYS IT ALL"

- 1) MATERIAL RIGID PVC
- 2) CAPSTOCK
- 3) UNSPECIFIED WALLS .080
- 4) BREAK ALL CORNERS .015 R
- 5) AREA .887 SQ. IN.
- 6) WT/FT .558 LBS/FT.

| | | | | |
|--|--------------|------------------|---------|---------|
| TITLE CASEMENT WINDOW CASEMENT SASH | | | | |
| DWN BY DDS | SCALE 2:1 | DATE 11/14/02 | CHKD BY | APPD BY |
| COMPUTER NO | | | | |
| DWG NO 5000 | | | | |

| | | | | |
|-----|----------|----|------|--|
| | | | | |
| | | | | |
| | | | | |
| | | | | |
| | | | | |
| NO. | REVISION | BY | DATE | |



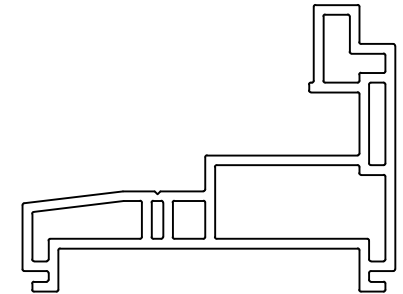
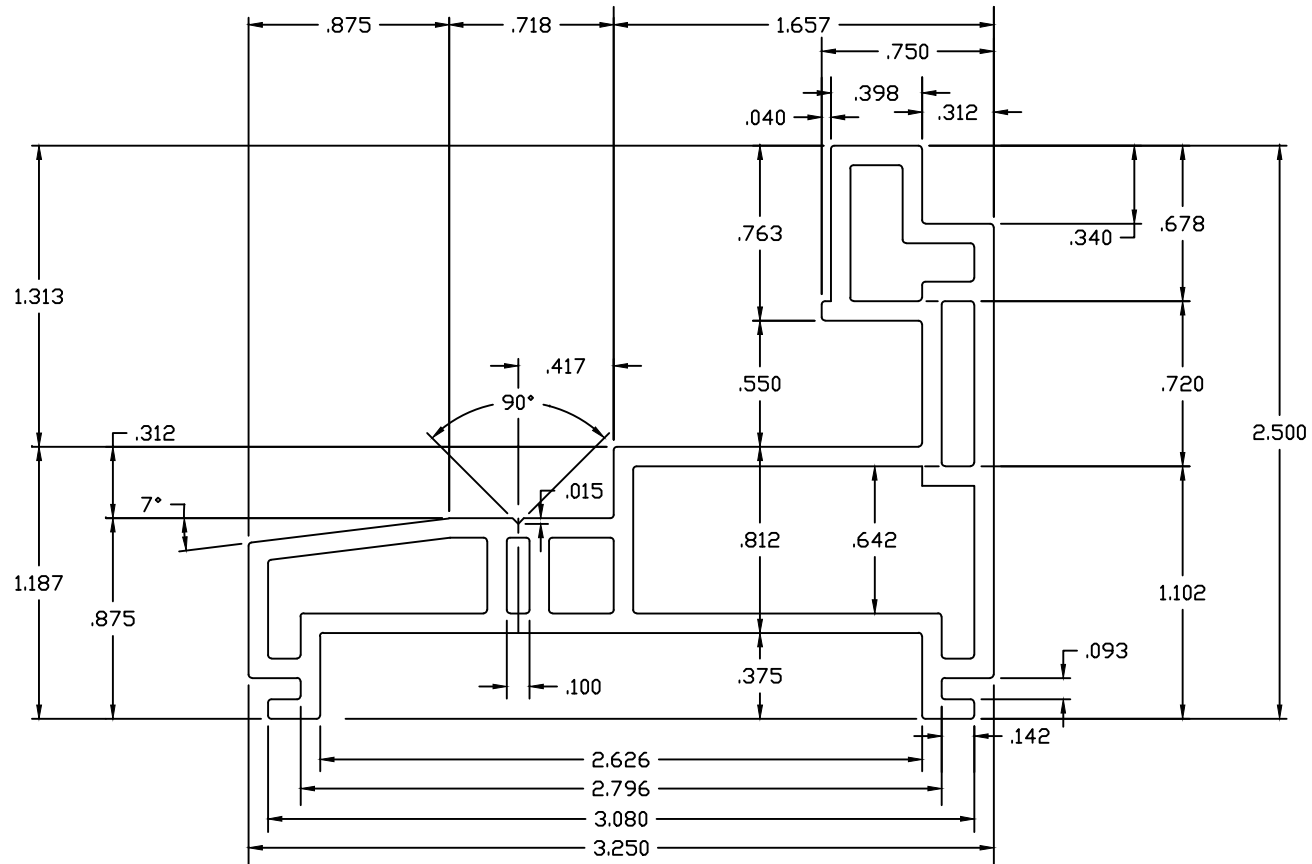
AREA OF RIGID PVC = .229
 AREA OF SOFT PVC = .006

WT/FT OF RIGID PVC = .144
 WT/FT OF SOFT PVC = .004

DO NOT SCALE DRAWING

| | | | | | | | | |
|--|-----------------------------|------------------------|---|---|--|--|--|--|
| | BY DDS DESIGNS | "OUR NAME SAYS IT ALL" | <input checked="" type="checkbox"/> LOCATION FOR IMPACT TEST SPECIFICATION—LENGTHS TO 3/8" | ALLOWABLE BOW MAX. 1" PER 14' ANGULARITY TO BE ± 1/2 | TITLE CASEMENT WINDOW CSMT GLAZING BEAD | | | |
| | | | 1) MATERIAL RIGID PVC 2) CAPSTOCK 3) UNSPECIFIED WALLS .065 4) BREAK ALL CORNERS .015 R 5) AREA .235 SQ.IN. 6) WT/FT .148 LBS/FT | DWN BY DDS | | | | |
| | | | | | COMPUTER NO | | | |
| | | | | | DWG NO 5008 | | | |

| | | | |
|-----|----------|----|------|
| | | | |
| | | | |
| | | | |
| | | | |
| | | | |
| NO. | REVISION | BY | DATE |



DO NOT SCALE DRAWING

| | | | |
|-----|----------|----|------|
| | | | |
| | | | |
| | | | |
| | | | |
| | | | |
| NO. | REVISION | BY | DATE |

| | | | | |
|--|--|--|---|--|
| | DRAWN FOR BY DDS DESIGNS "OUR NAME SAYS IT ALL" | 1) MATERIAL RIGID PVC 2) CAPSTOCK 3) UNSPECIFIED WALLS .080 4) BREAK ALL CORNERS .015 R 5) AREA 1.192 SQ.IN. 6) WT/FT .750 LBS/FT | ALLOWABLE BOW MAX. 1" PER 14' ANGULARITY TO BE ± 1/2 | TITLE CASEMENT WINDOW CSMT MAIN FRAME |
| | | | | DWN BY DDS SCALE 2:1 DATE 11/14/02 CHKD BY APPD BY |
| | | | | COMPUTER NO DWG NO 5012 |