

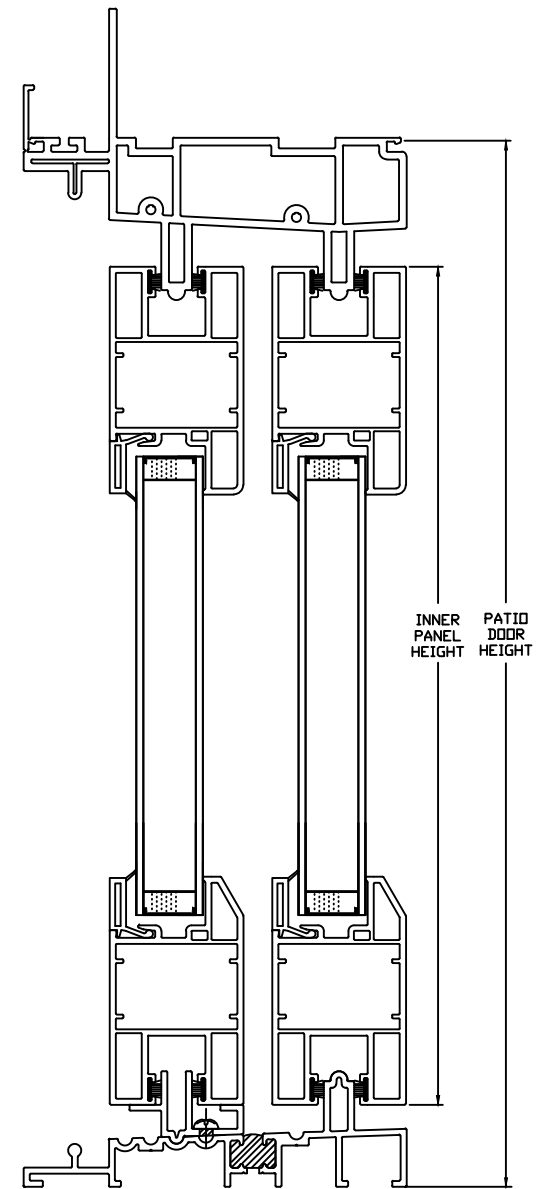
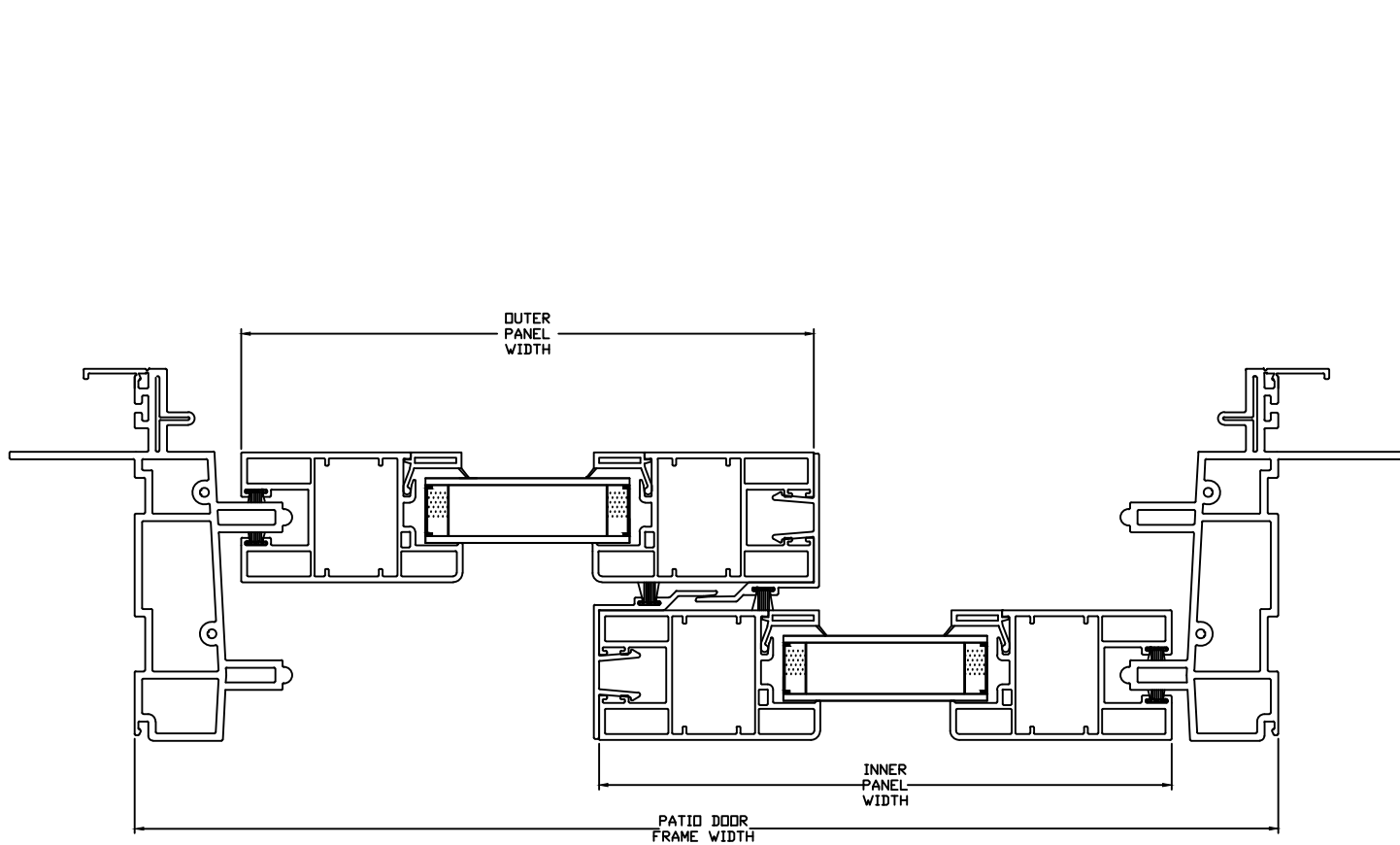


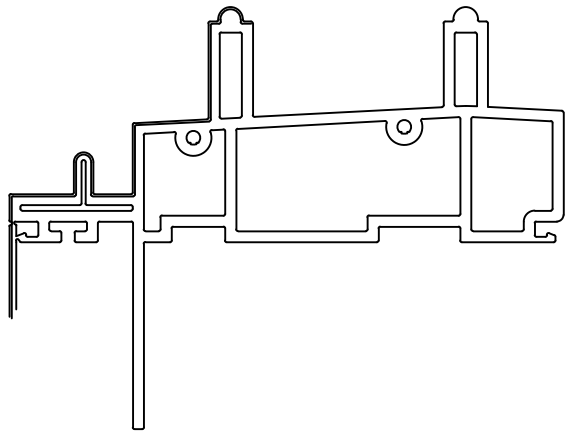


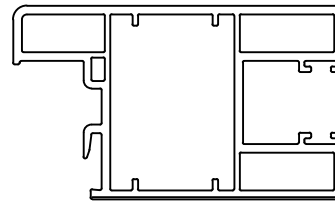
		<input checked="" type="checkbox"/> LOCATION FOR IMPACT TEST SPECIFICATION—LENGTHS TO 3/8"		ALLOWABLE BOW MAX. 1" PER 14' ANGULARITY TO BE ± 1/2"	
		DRAWN FOR 		1) MATERIAL RIGID PVC 2) CAPSTOCK 3) UNSPECIFIED WALLS 4) BREAK ALL CORNERS .015" R 5) AREA SQ.IN. 6) WT./FT. LBS./FT.	
		BY 		TITLE PATIO DOOR	
		"OUR NAME SAYS IT ALL"		DWN BY DDS SCALE DATE 02/01/12 CHKD BY APPD BY	
NO.		REVISION		COMPUTER NO	
		BY DATE		DWG NO C-PATIO DOOR CROSS SECTION	



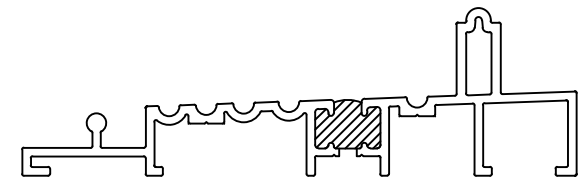
				<input checked="" type="checkbox"/> LOCATION FOR IMPACT TEST SPECIFICATION—LENGTHS TO 3/8"	ALLOWABLE BOW MAX. 1" PER 14' ANGULARITY TO BE ± 1/2°
				DRAWN FOR  BY  DDS DESIGNS	1) MATERIAL <u>RIGID PVC</u> 2) CAPSTOCK 3) UNSPECIFIED WALLS 4) BREAK ALL CORNERS .015 R 5) AREA SQ.IN. 6) WT/FT LBS/FT
				"OUR NAME SAYS IT ALL"	TITLE PATIO DOOR—ALUMINUM SILL with THERMAL BREAK DWN BY DDS SCALE DATE 03/27/13 CHKD BY APPD BY COMPUTER NO DWG NO C-PATIO DOOR CROSS SECTION
NO.	REVISION	BY	DATE		



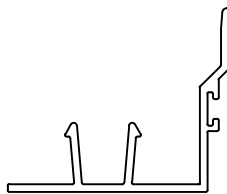
PATIO DOOR MAIN FRAME



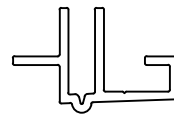
PATIO DOOR PANEL FRAME



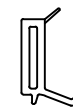
PATIO DOOR ALUMINUM SILL



PATIO DOOR INTERLOCK






PATIO DOOR OUTER
PANEL SUPPORT

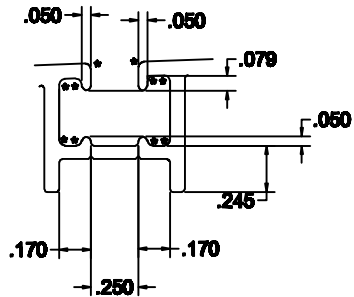
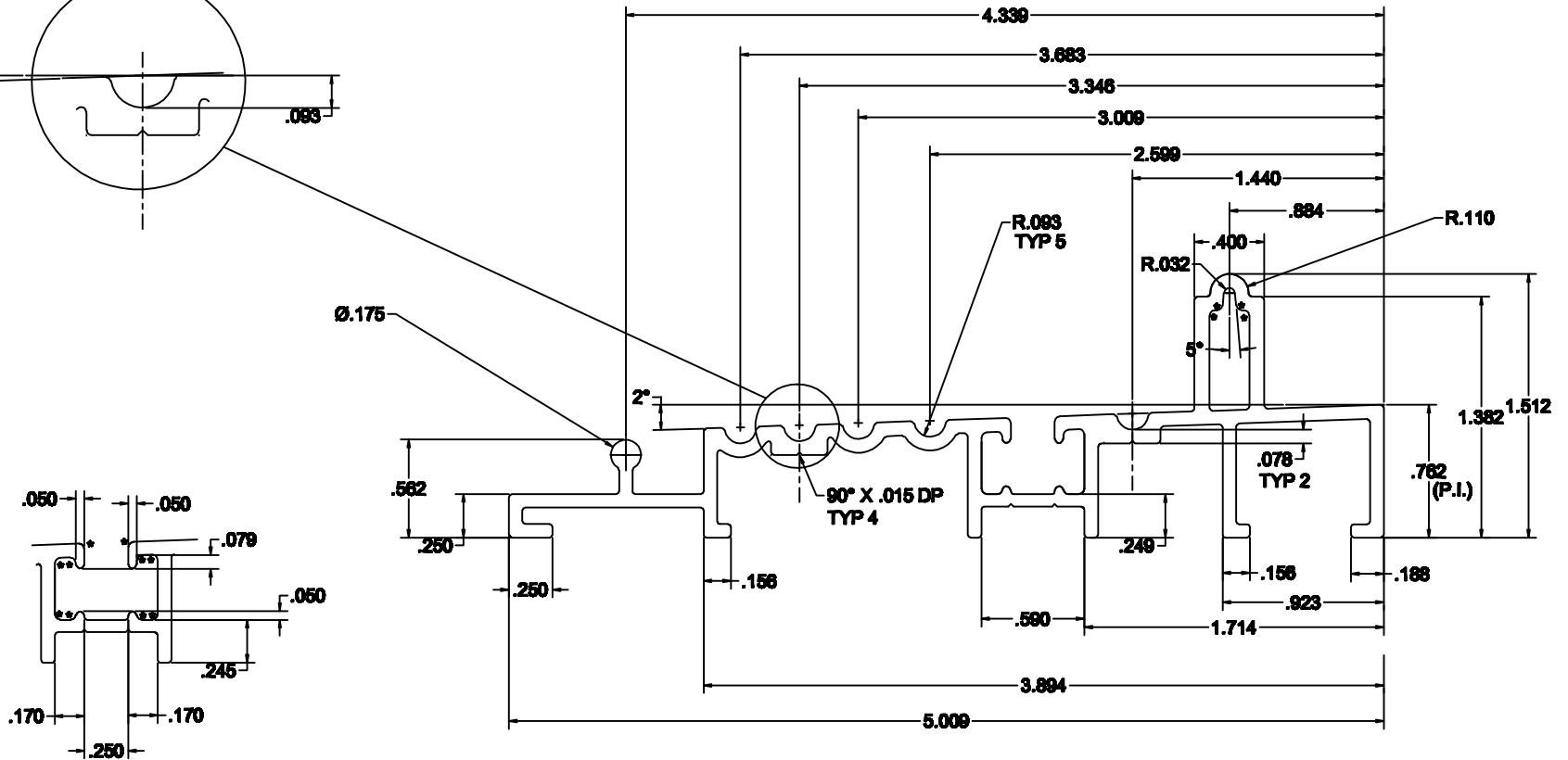
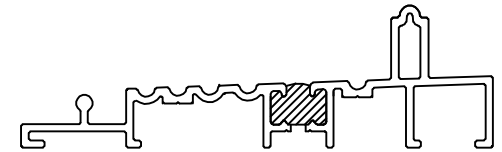
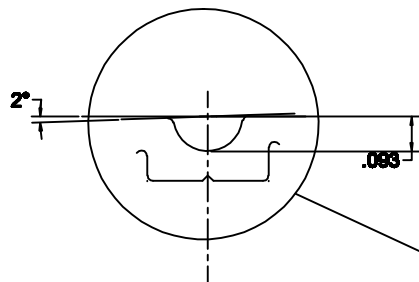


2009 GLAZING BEAD

NO.	REVISION	BY	DATE

DO NOT SCALE DRAWING



<input checked="" type="checkbox"/> LOCATION FOR IMPACT TEST SPECIFICATION-LENGTHS TO 3/8"		ALLOWABLE BOW MAX. 1" PER 14' ANGULARITY TO BE ± 1/2°	
DRAWN FOR 		TITLE: PATIO DOOR PROFILE CHART	
BY:  DDS DESIGNS		1) MATERIAL RIGID PVC 2) CAPSTOCK  3) UNSPECIFIED WALLS 4) BREAK ALL CORNERS .015 R 5) AREA SQ. IN. 6) WT/FT LBS/FT	DWN BY: DDS SCALE: DATE: 11-09-11 CHKD BY: APPD BY: COMPUTER NO:
"OUR NAME SAYS IT ALL"		DWG NO: PATIO DOOR PROFILE CHART	

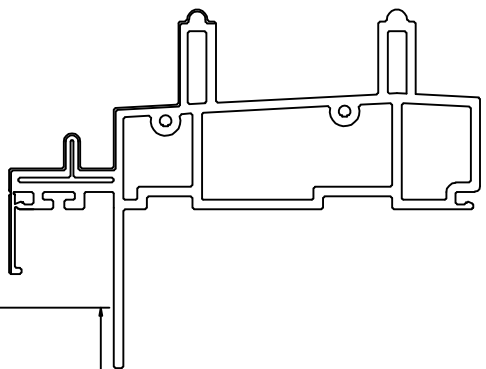
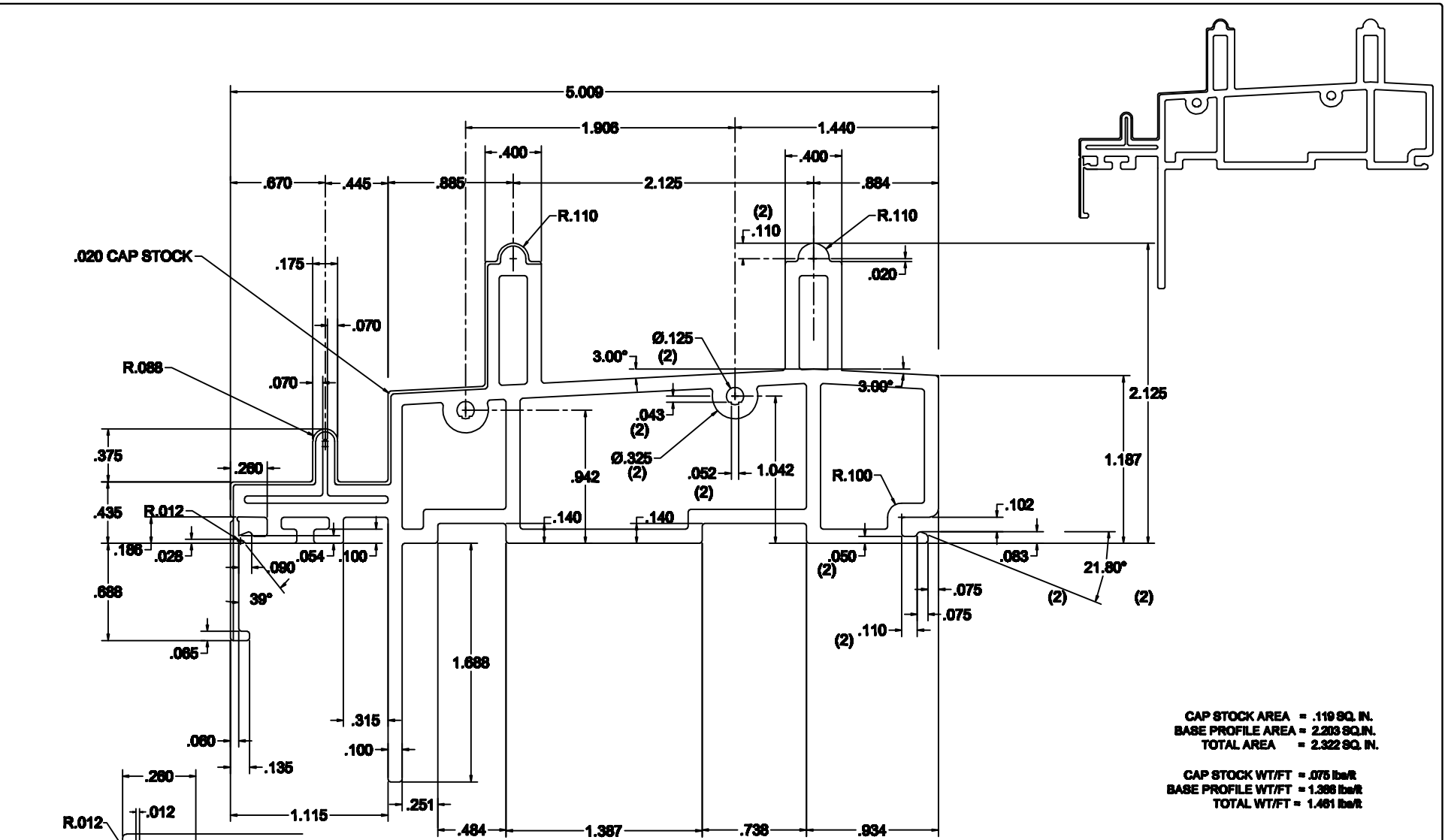


* .031R

DO NOT SCALE DRAWING

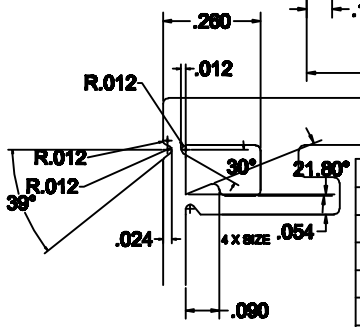
NO.	REVISION	BY	DATE	

 <p>LOCATION FOR IMPACT TEST SPECIFICATION-LENGTHS TO 36"</p>	<p>ALLOWABLE BOW MAX. 1" PER 14' ANGULARITY TO BE ± 12 °</p>	<p>TOLERANCES- .XX ± .010 .XXX ± .005</p>
<p>DRAWN FOR</p>  <p>BY DOS DESIGNS</p> <p>"OUR NAME SAYS IT ALL"</p>	<p>1) MATERIAL RIGID PVC 2) CAPSTOCK 3) UNSPECIFIED WALLS .078 4) BREAK ALL CORNERS .015 R 5) AREA .845 SQ.IN. 6) WT/FT 1.015 LBS/FT.</p>	<p>TITLE PATIO DOOR SILL (ALUMINUM)</p> <p>DWN BY DOS SCALE 2:1 DATE 08/20/18 CHD BY APPD BY COMPUTER NO DWG NO</p>




CAP STOCK AREA = .119 SQ. IN.
 BASE PROFILE AREA = 2.203 SQ. IN.
 TOTAL AREA = 2.322 SQ. IN.

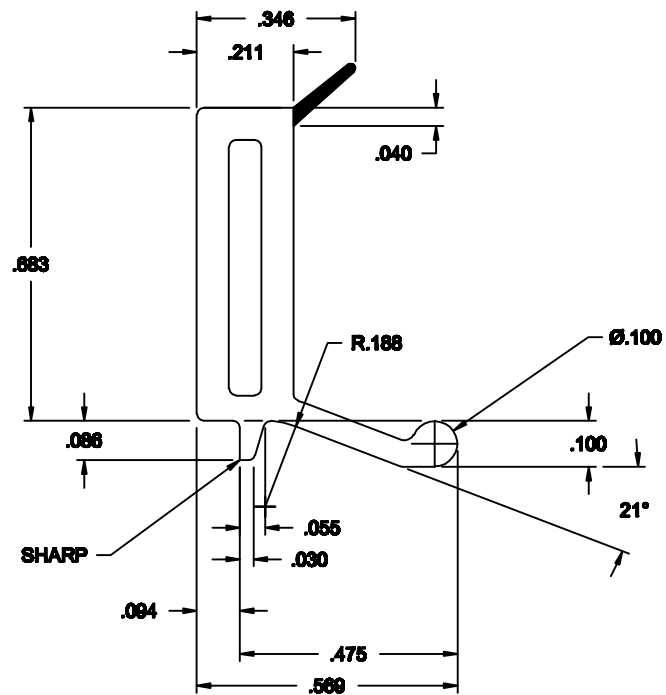
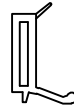
 CAP STOCK WT/FT = .075 lbs/ft
 BASE PROFILE WT/FT = 1.386 lbs/ft
 TOTAL WT/FT = 1.461 lbs/ft



NO.	REVISION	BY	DATE

DO NOT SCALE DRAWING


☒ LOCATION FOR IMPACT TEST SPECIFICATION-LENGTHS TO 3/8"	ALLOWABLE BOW MAX. 1" PER 14" ANGULARITY TO BE ± 1/2 °	TOLERANCES- XX ± .010 XXX ± .005
DRAWN FOR  BY DOS DESIGNS "OUR NAME SAYS IT ALL"	1) MATERIAL RIGID PVC 2) CAPSTOCK 3) UNSPECIFIED WALLS .100 4) BREAK ALL CORNERS .015 R 5) AREA 2.322 SQ. IN. 6) WT/FT 1.461 LBS/FT.	TITLE PATIO DOOR MAIN FRAME DRN BY DOS SCALE 2:1 DATE 09/11/18 CHKD BY APPD BY COMPUTER NO DWG NO

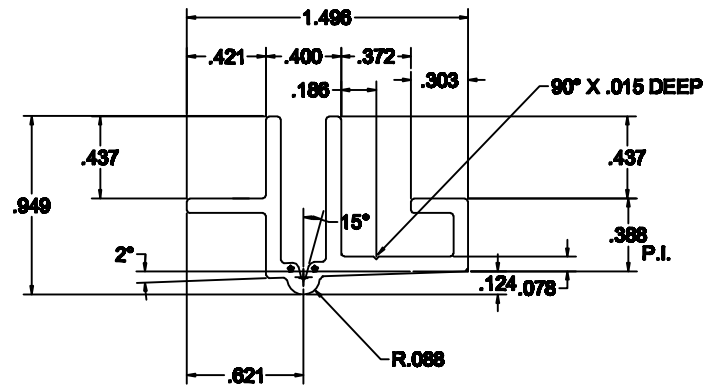
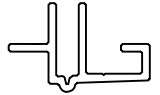


AREA OF RIGID PVC = .132
 AREA OF SOFT PVC = .004
 WT/FT OF RIGID PVC = .083
 WT/FT OF SOFT PVC = .003


DO NOT SCALE DRAWING

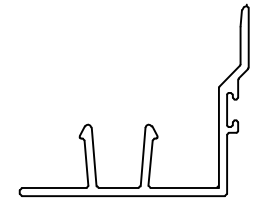
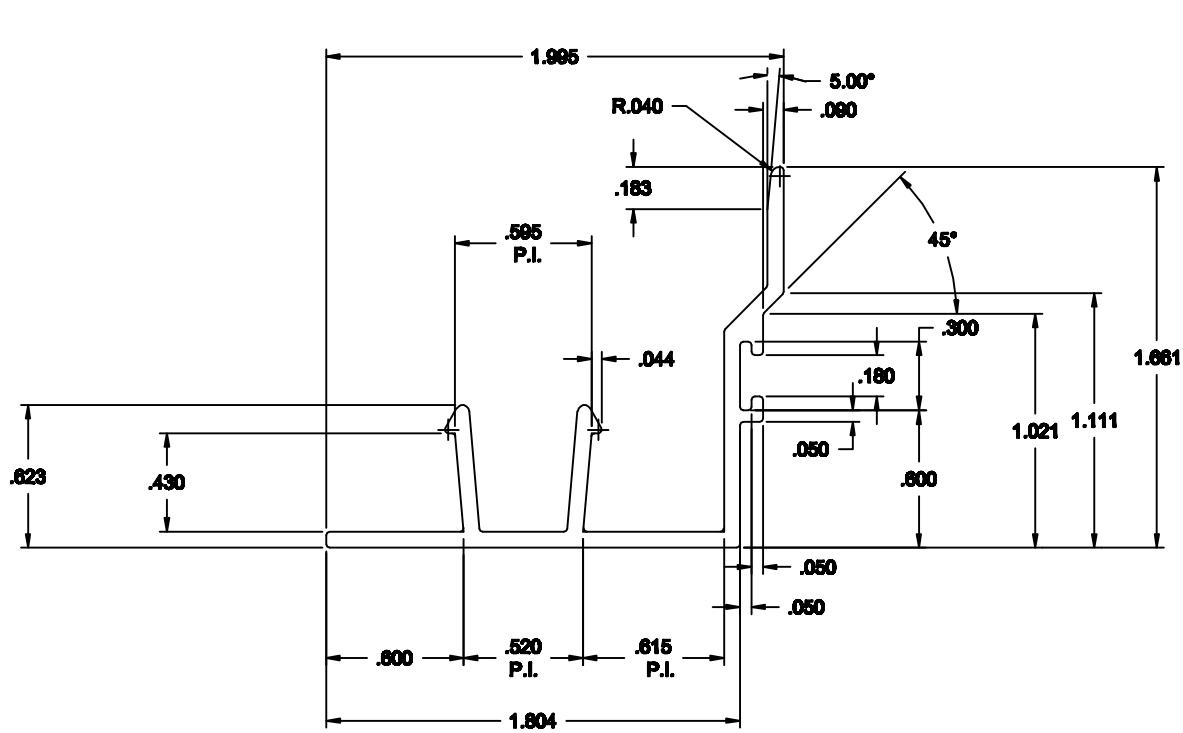
NO.	REVISION	BY	DATE

<input checked="" type="checkbox"/> LOCATION FOR IMPACT TEST SPECIFICATION-LENGTHS TO 3/8"		ALLOWABLE BOW MAX. 1" PER 14' ANGULARITY TO BE ± 1/2°		TOLERANCES- XX ± .010 XXX ± .005		
DRAWN FOR  BY DDS DESIGNS "OUR NAME SAYS IT ALL"	1) MATERIAL RIGID PVC 2) CAPSTOCK 3) UNSPECIFIED WALLS .070 4) BREAK ALL CORNERS .015 R 5) AREA .136 SQ.IN. 6) WT/FT .086 LBS/FT.			TITLE WELDED DOUBLE HUNG GLAZING BEAD-THIN GLASS		
	COMPUTER NO			DWN BY DDS	SCALE 4:1	DATE 11/20/02
				CHKD BY	APPD BY	
				DWG NO B-WDGBTG-3009		




DO NOT SCALE DRAWING

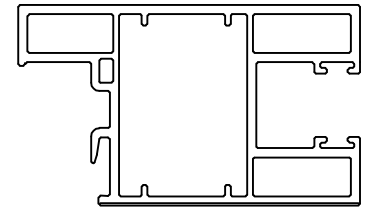
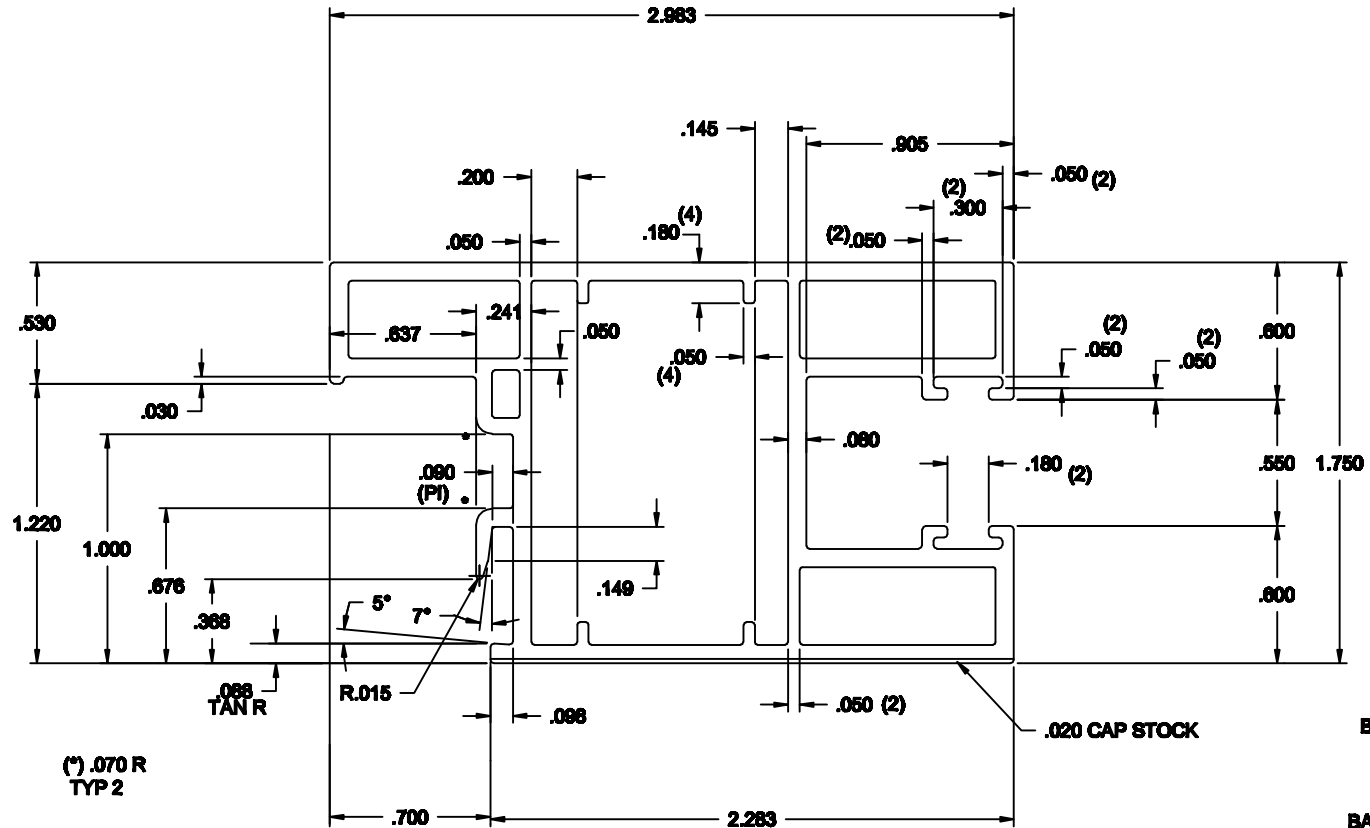
					Σ LOCATION FOR IMPACT TEST SPECIFICATION-LENGTHS TO 38"	ALLOWABLE BOW MAX. 1" PER 14' ANGULARITY TO BE ± 1/2 °	TOLERANCES- .XX ± .010 .XXX ± .005
					DRAWN FOR  BY DDS DESIGNS "OUR NAME SAYS IT ALL"	1) MATERIAL RIGID PVC 2) CAPSTOCK 3) UNSPECIFIED WALLS .878 4) BREAK ALL CORNERS .015 R 5) AREA .302 SQ.IN. 6) WT/FT .302 LBS/FT.	TITLE PATIO DOOR FIXED PANEL SUPPORT DRN BY DDS SCALE 2:1 DATE 08/26/10 CHD BY APPD BY COMPUTER NO DWG NO
NO.	REVISION	BY	DATE				



DO NOT SCALE DRAWING

NO.	REVISION	BY	DATE

<input checked="" type="checkbox"/> LOCATION FOR IMPACT TEST SPECIFICATION-LENGTHS TO 3/8"		ALLOWABLE BOW MAX. 1" PER 14' ANGULARITY TO BE ± 1/2°		TOLERANCES- XX ± .010 .XXX ± .005	
DRAWN FOR  BY DDS DESIGNS		1) MATERIAL RIGID PVC 2) CAPSTOCK 3) UNSPECIFIED WALLS .070 4) BREAK ALL CORNERS .015R 5) AREA .340 SQ.IN. 6) WT/FT .214 LBS/FT		TITLE PATIO DOOR INTERLOCK DWN BY DDS SCALE 2:1 DATE 01/27/12 CHKD BY APPD BY COMPUTER NO DWG NO	



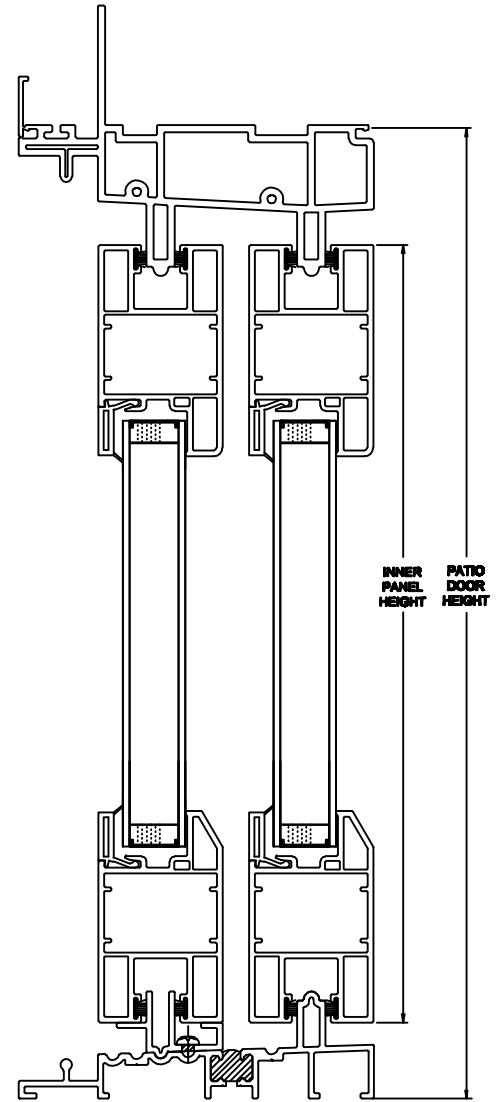
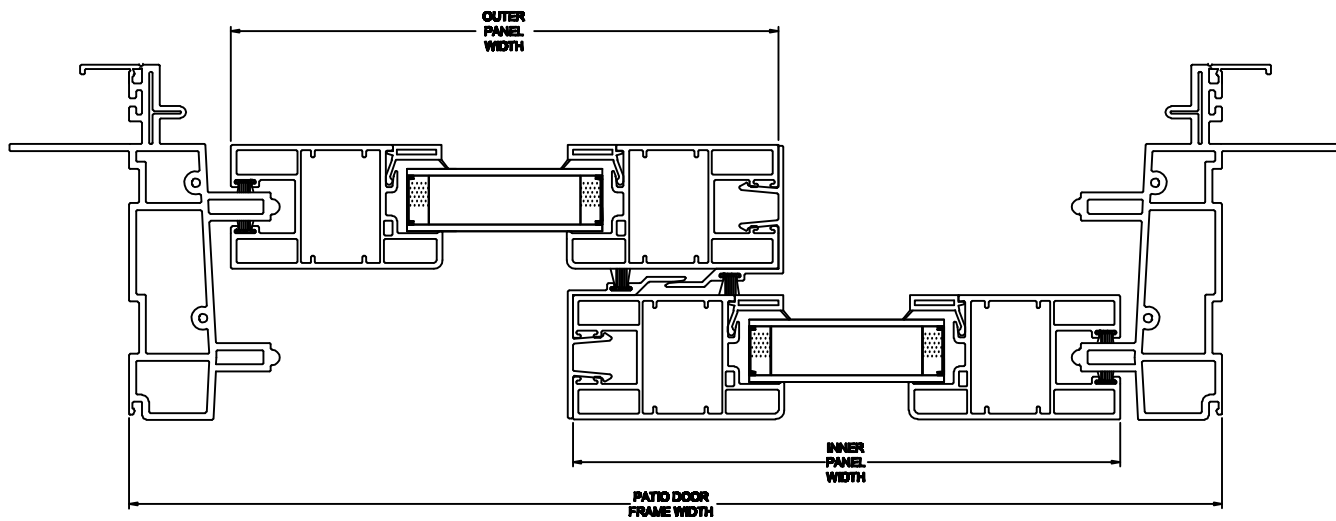
CAP STOCK AREA = .046 SQ. IN.
 BASE PROFILE AREA = .982 SQ. IN.
 TOTAL AREA = 1.028 SQ. IN.

CAP STOCK WT/FT = .029 lbs/ft
 BASE PROFILE WT/FT = .618 lbs/ft
 TOTAL WT/FT = .647 lbs/ft

DO NOT SCALE DRAWING

NO.	REVISION	BY	DATE

<p>BY DDS DESIGNS</p> <p>"OUR NAME SAYS IT ALL"</p>	LOCATION FOR IMPACT TEST SPECIFICATION-LENGTHS TO 3/8"	ALLOWABLE BOW MAX. 1" PER 14' ANGULARITY TO BE ± 1/2°	TOLERANCES- XX ± .010 XXX ± .005
	1) MATERIAL RIGID PVC 2) CAPSTOCK 3) UNSPECIFIED WALLS .080 4) BREAK ALL CORNERS .015 R 5) AREA 1.028 SQ. IN. 6) WT/FT .647 LBS/FT.		TITLE PATIO DOOR SASH SQUARE NOSE DWN BY DDS SCALE 2:1 DATE 02/19/12 CHKD BY APPD BY COMPUTER NO DWG NO



		*EVIDENCE FOR IMPACT TEST SPECIFICATION-LENGTHS TO 81P		ALLOWABLE BOW MAX. 1" PER 14' ANGULARITY TO BE ± 1/2 °		TOLERANCES- JOX ± .010 JOOX ± .005			
		1) MATERIAL RIGID PVC 2) CAPSTOCK 3) UNSPECIFIED WALLS 4) BREAK ALL CORNERS .015 R 5) AREA SQ. IN. 6) WT/FT LB/FT		TITLE PATIO DOOR-ALUMINUM BELL WITH THERMAL BREAK		DWG BY SCALE DATE COMPUTER NO DVG NO		CHKD BY APPD BY C-PATIO DOOR CROSS SECTION	
NO.	REVISION	BY	DATE	DESIGN FOR  BY DESIGN					
				YOUR NAME GOES IF ALL					