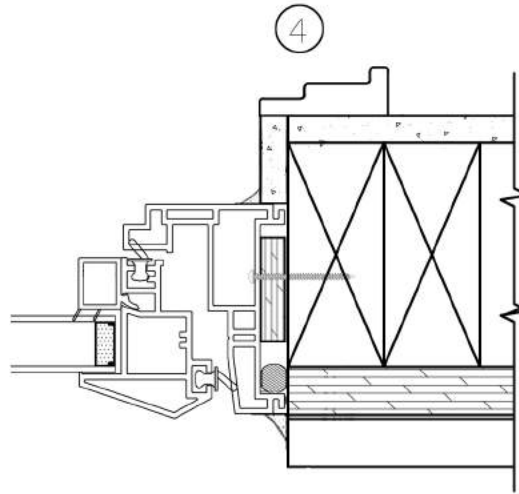
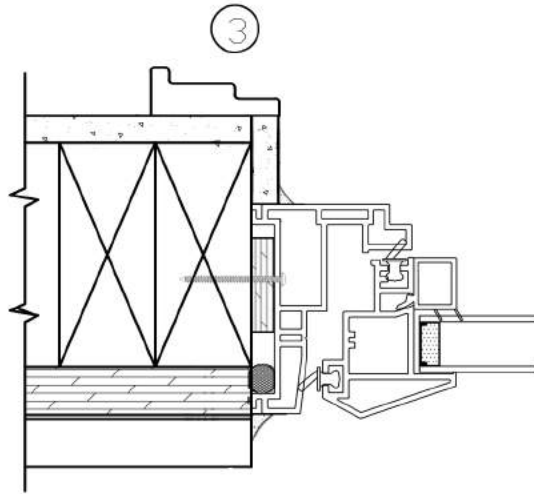
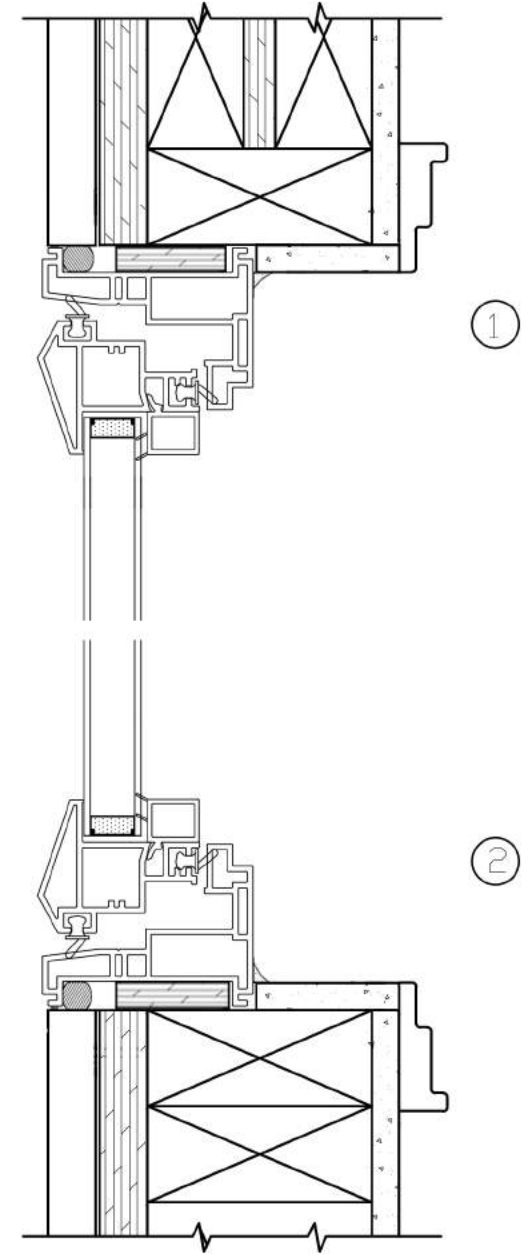
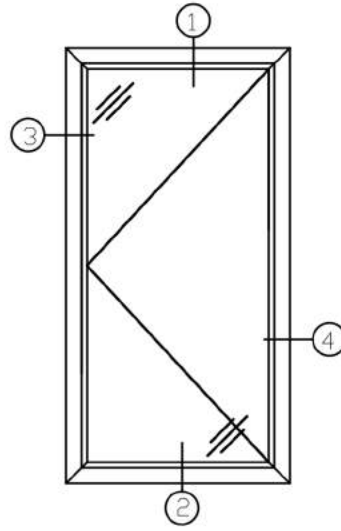




**CW300**  
**Casement**  
**Replacement**  
**3 1/4" Jamb**  
**7/8" Insulated Glass**  
**Welded Assembly**



**Recommended Installation**

**Use of Shims & Expansion Foam Recommended As Needed**

**Actual Installation May Vary Based On Construction Application**

**Window System Design Property Of Quality Lineals USA, Inc.**

**NorthEast Windows USA, Inc.**  
**Quality Lineals USA, Inc.**

1 Kees Place Merrick, NY 11566

P: 516-378-6577 F: 516-868-3577

**WWW.NORTHEASTWINDOWSUSA.COM**