

DO NOT SCALE DRAWING

NO.	REVISION	BY	DATE

☒ LOCATION FOR IMPACT TEST
SPECIFICATION—LENGTHS TO 3/8"

ALLOWABLE BOW MAX. 1" PER 14'
ANGULARITY TO BE ± 1/2°

DRAWN FOR

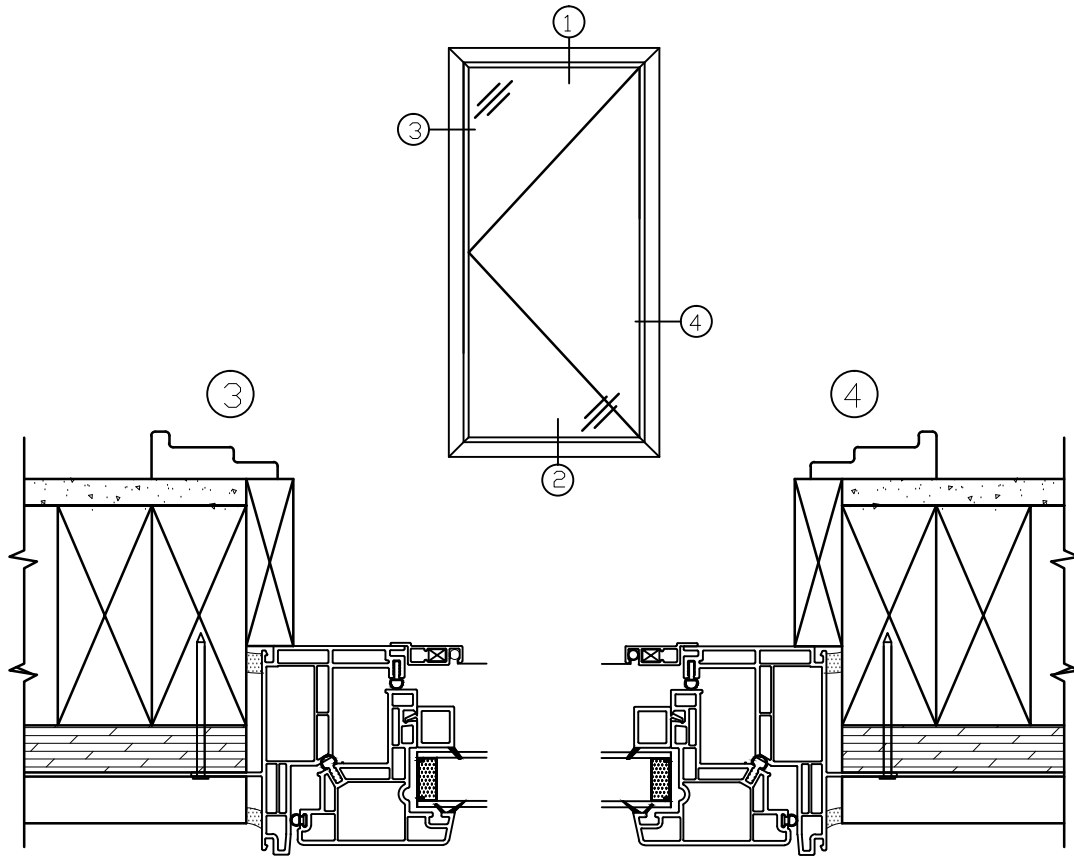
BY DDS
DESIGNS

"OUR NAME SAYS IT ALL"

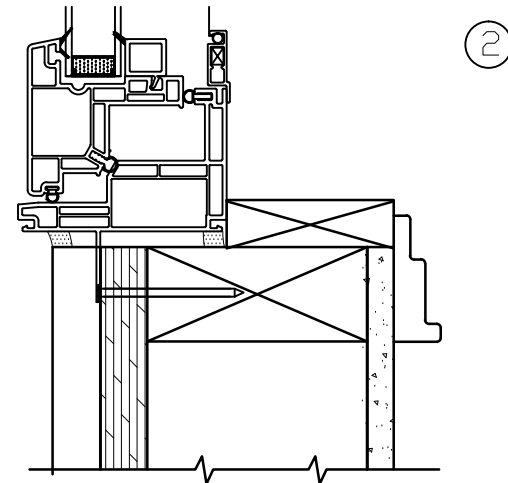
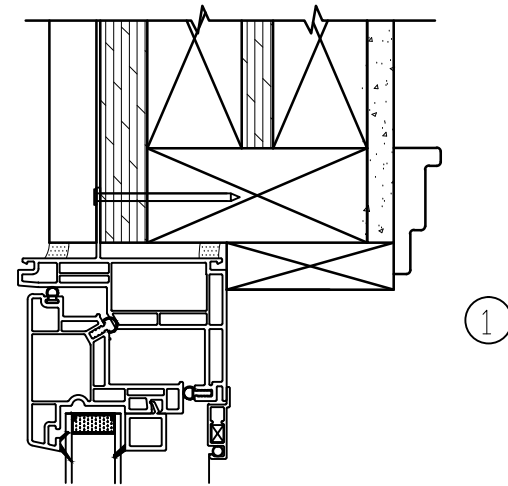
- 1) MATERIAL RIGID PVC
- 2) CAPSTOCK
- 3) UNSPECIFIED WALLS
- 4) BREAK ALL CORNERS.....R
- 5) AREA SQ.IN
- 6) WT/FT LBS/FT

TITLE CW390
WELD MAIN FRAME/WELDED SASH

DWN BY DDS	SCALE	DATE 02/28/12	CHKD BY	APPD BY
COMPUTER NO				
DWG NO CW390 CROSS SECTION				



CW390 CASEMENT
 NEW CONSTRUCTION WINDOW
 3/4" INSULATED GLASS
 WITH NAIL FIN



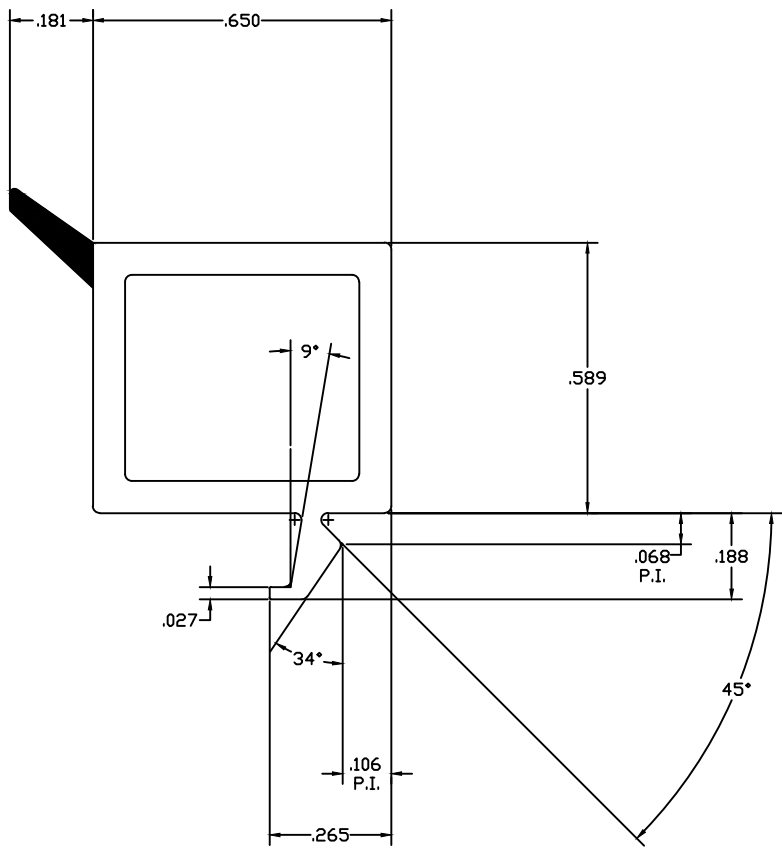
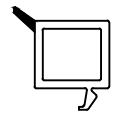
PROJECT:	CW300
LOCATION:	
ARCHITECT:	
G.C.:	

DRAWN FOR


NORTHEAST
 WINDOWS

BY
 DDS
 DESIGNS


REVISION DATES	
△	
△	
△	
△	
△	
BY:	
DATE:	05/05/21
JOB#	
DWG.#	
CW300	




DO NOT SCALE DRAWING

 LOCATION FOR IMPACT TEST SPECIFICATION—LENGTHS TO 3/8"	ALLOWABLE BOW MAX. 1" PER 14' ANGULARITY TO BE ± 1/2°
---	--

DRAWN FOR



BY  DDS
 DESIGNS

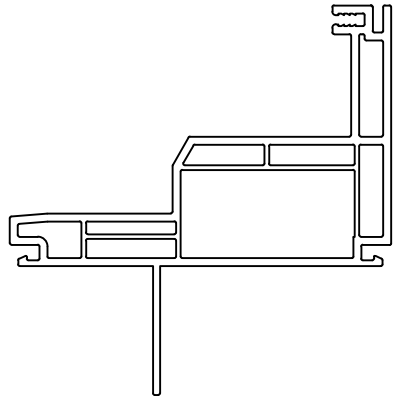
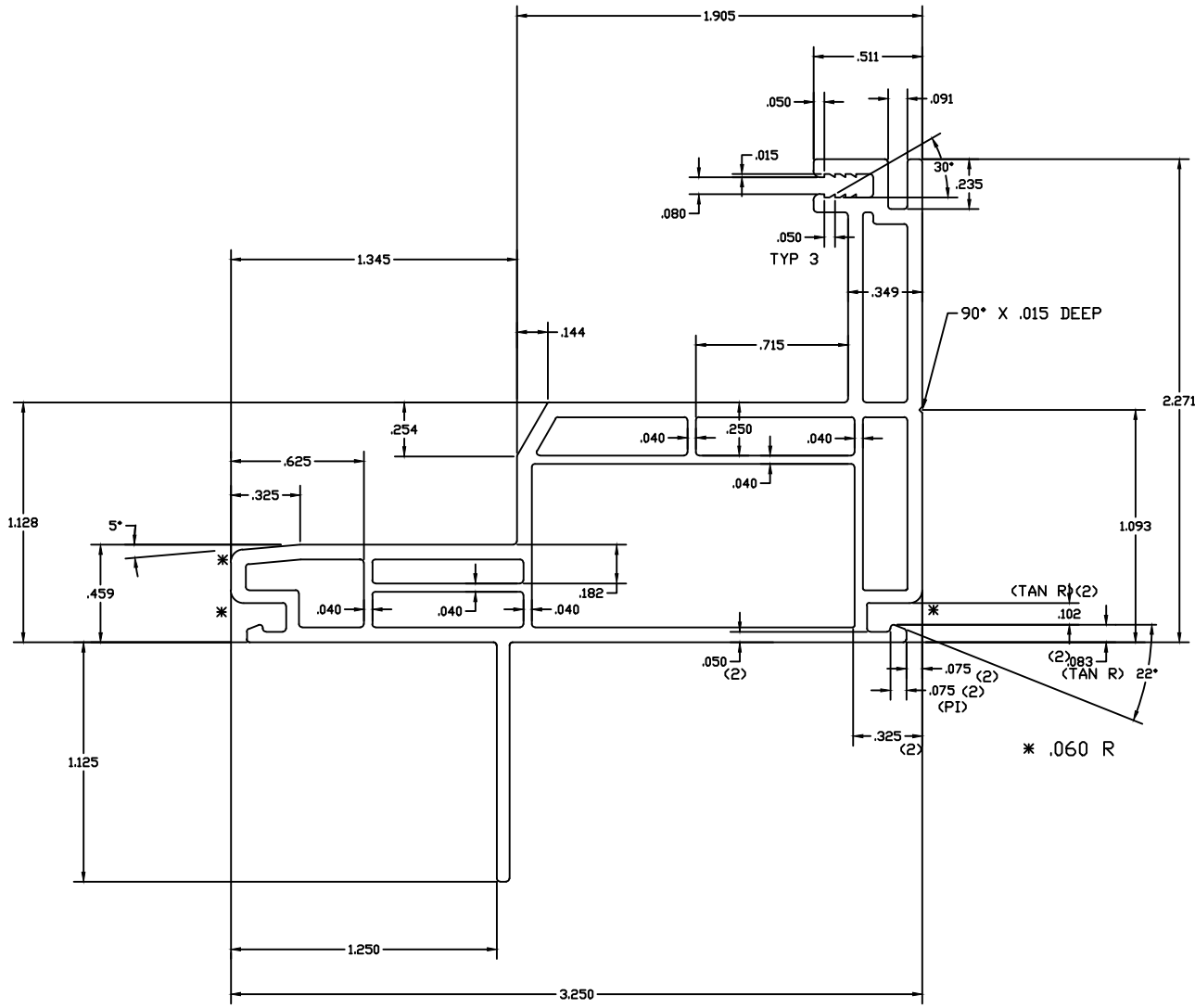
"OUR NAME SAYS IT ALL"

- 1) MATERIAL RIGID PVC
- 2) CAPSTOCK ~~.....~~
- 3) UNSPECIFIED WALLS
- 4) BREAK ALL CORNERS .015
- 5) AREA SQ.IN.
- 6) WT/FT LBS/FT

TITLE GLAZING BEAD

DWN BY DDS ^R	SCALE 2:1	DATE 10/28/12	CHKD BY	APPD BY
COMPUTER NO				
DWG NO		304		

NO.	REVISION	BY	DATE



DO NOT SCALE DRAWING

NO.	REVISION	BY	DATE

LOCATION FOR IMPACT TEST SPECIFICATION—LENGTHS TO 3/8"	ALLOWABLE BOW MAX. 1" PER 14' ANGULARITY TO BE ± 1/2°	TITLE CASEMENT MAIN FRAME				
DRAWN FOR QUALITY LINEALS BY DDS DESIGNS "OUR NAME SAYS IT ALL"	1) MATERIAL RIGID PVC 2) CAPSTOCK 3) UNSPECIFIED WALLS 4) BREAK ALL CORNERS .015 R 5) AREA SQ. IN. 6) WT/FT LBS/FT	DWN BY DDS	SCALE 2:1	DATE 1020/12	CHKD BY	APPD BY
COMPUTER NO						
DWG NO 7301						