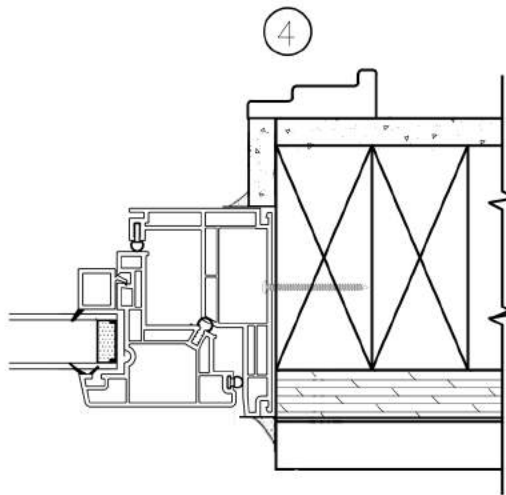
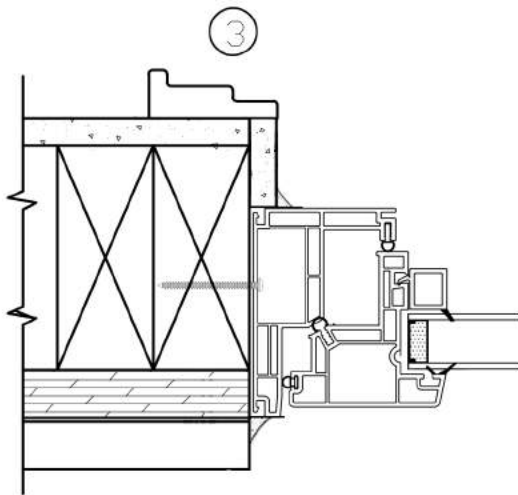
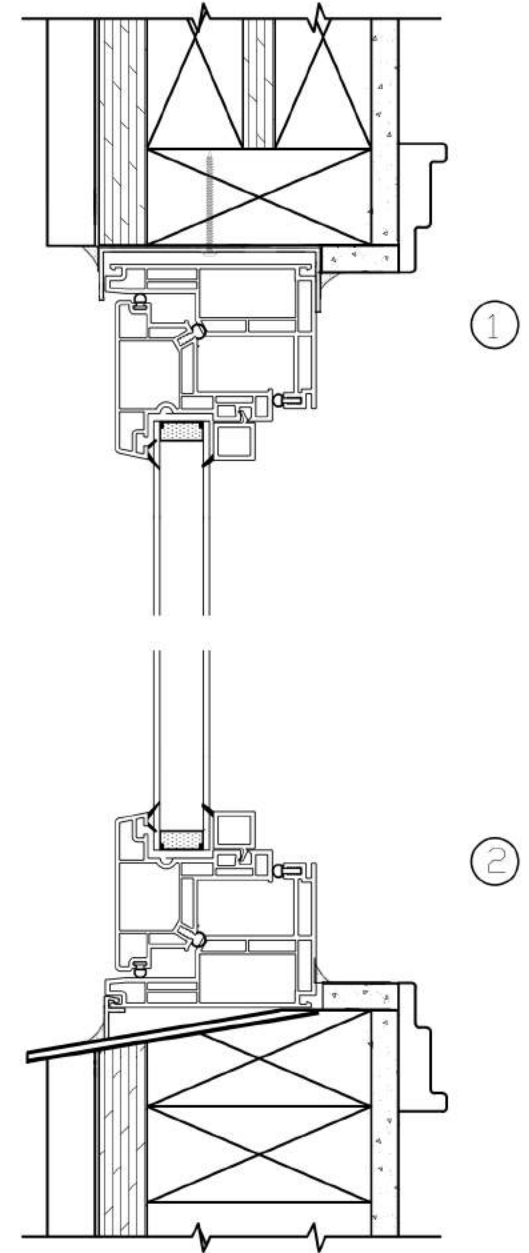
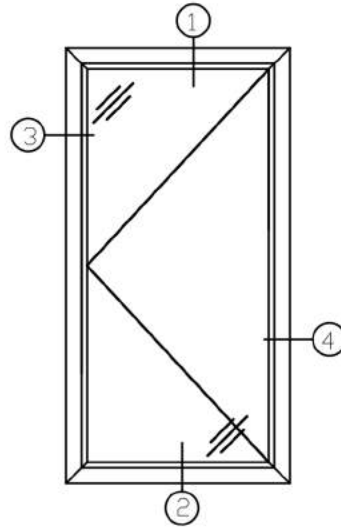




CW390

**Casement
 Replacement
 Sloped Sill
 3 1/4" Jamb
 7/8" Insulated Glass
 Welded Assembly**



Recommended Installation

Use of Shims & Expansion Foam Recommended As Needed

Actual Installation May Vary Based On Construction Application

Window System Design Property Of Quality Lineals USA, Inc.

**NorthEast Windows USA, Inc.
 Quality Lineals USA, Inc.**

1 Kees Place Merrick, NY 11566

P: 516-378-6577 F: 516-868-3577

WWW.NORTHEASTWINDOWSUSA.COM