

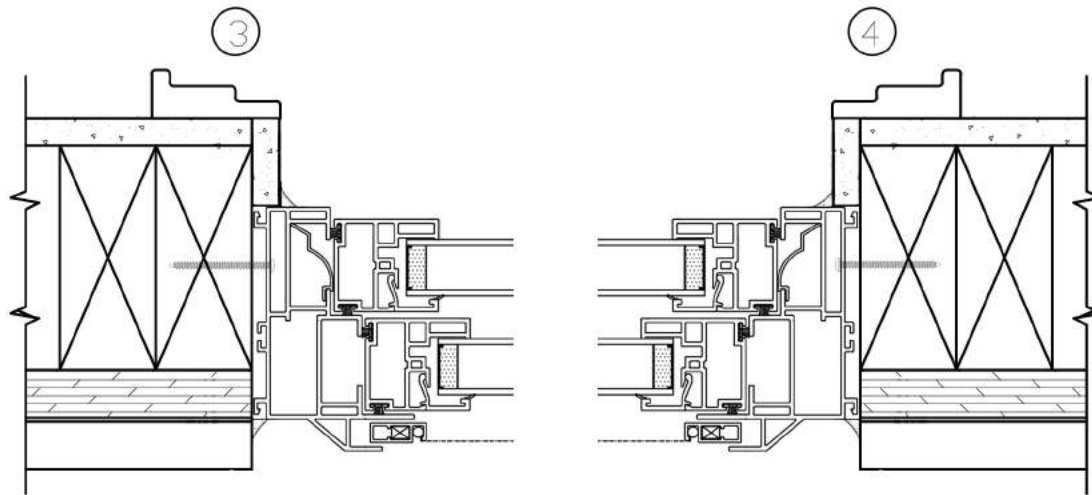
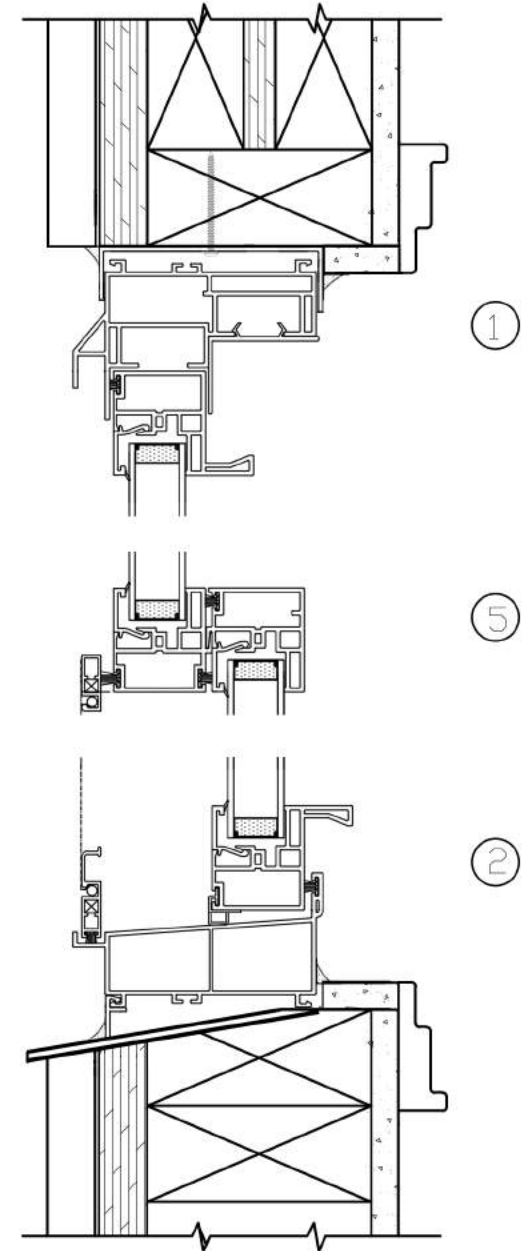
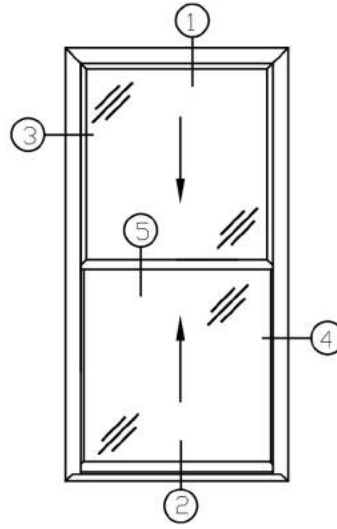


# DH900

Double Hung  
Replacement  
Sloped Sill

3 1/4" Jamb

7/8" Insulated Glass  
Welded Assembly



## Recommended Installation

Use of Shims & Expansion Foam Recommended As Needed

Actual Installation May Vary Based On Construction Application

Window System Design Property Of Quality Lineals USA, Inc.

NorthEast Windows USA, Inc.  
Quality Lineals USA, Inc.

1 Kees Place Merrick, NY 11566

P: 516-378-6577 F: 516-868-3577

[WWW.NORTHEASTWINDOWSUSA.COM](http://WWW.NORTHEASTWINDOWSUSA.COM)