



# PD400

Patio Door

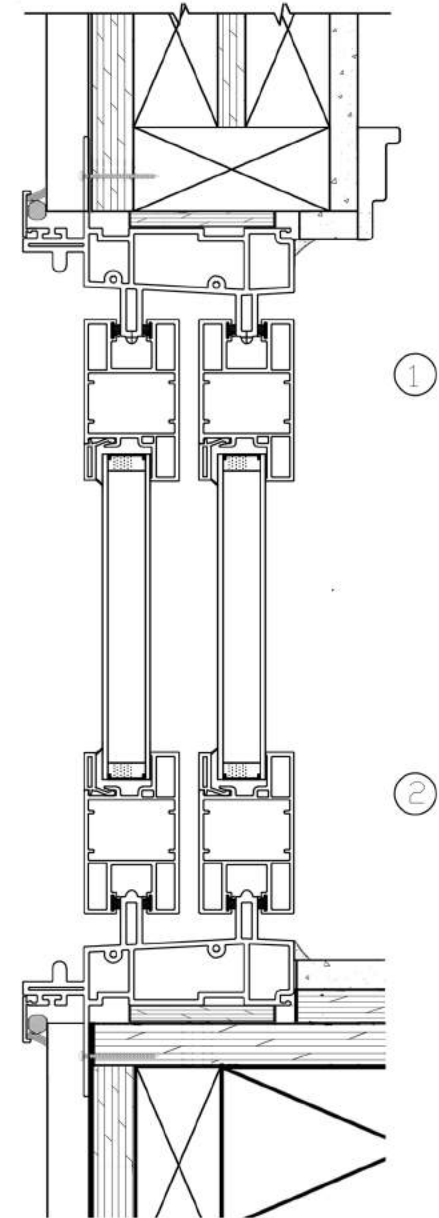
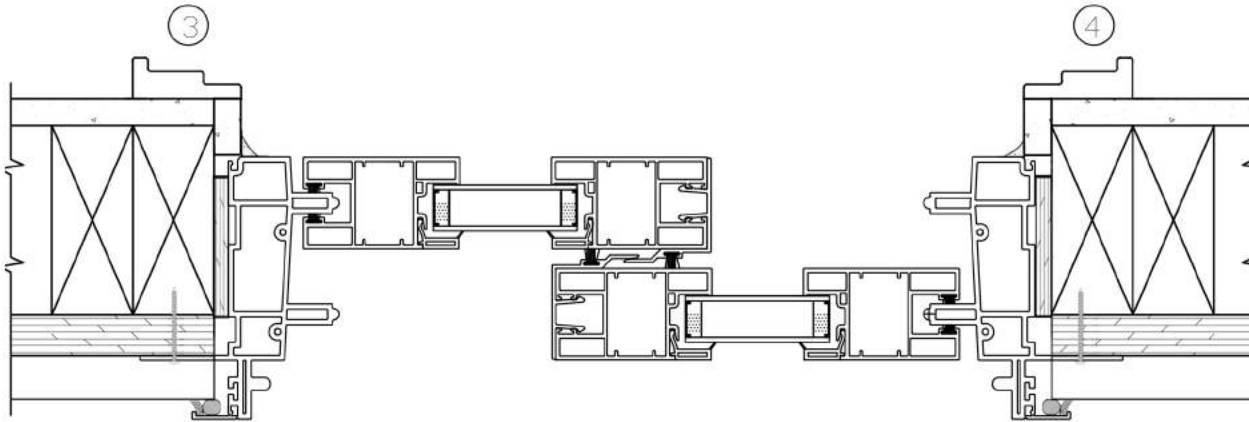
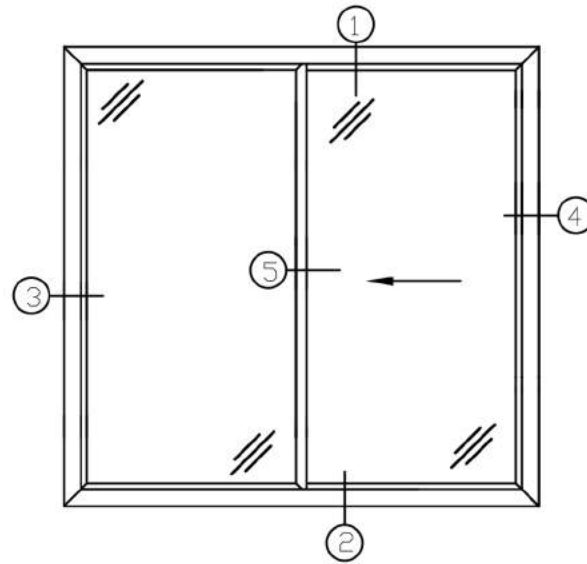
New Construction

Nailing Flange & J-Channel

5" Jamb

7/8" Insulated Glass

Welded Assembly



### Recommended Installation

Use of Shims & Expansion Foam Recommended As Needed

Actual Installation May Vary Based On Construction Application

Window System Design Property Of Quality Lineals USA, Inc.

**NorthEast Windows USA, Inc.**  
**Quality Lineals USA, Inc.**

1 Kees Place Merrick, NY 11566

P: 516-378-6577 F: 516-868-3577

[WWW.NORTHEASTWINDOWSUSA.COM](http://WWW.NORTHEASTWINDOWSUSA.COM)