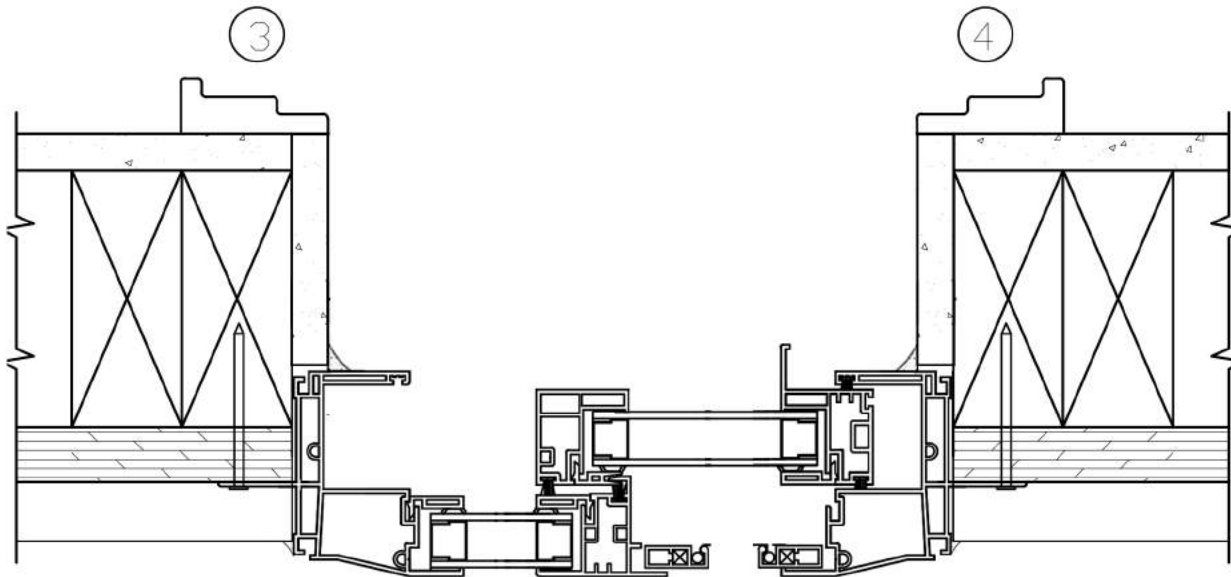
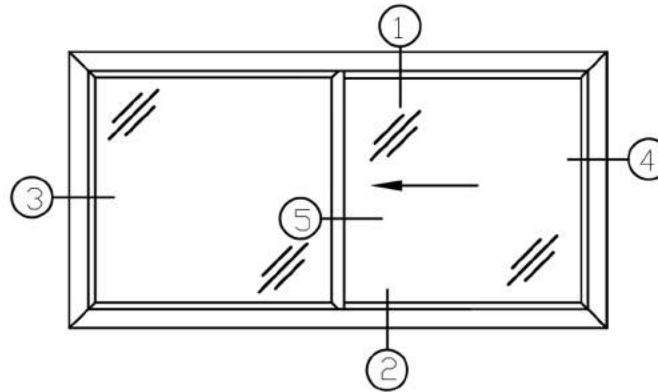




**SL610**  
Horizontal Slider  
New Construction  
Nailing Flange Only  
2 5/8" Jamb  
3/4" Insulated Glass  
Welded Assembly

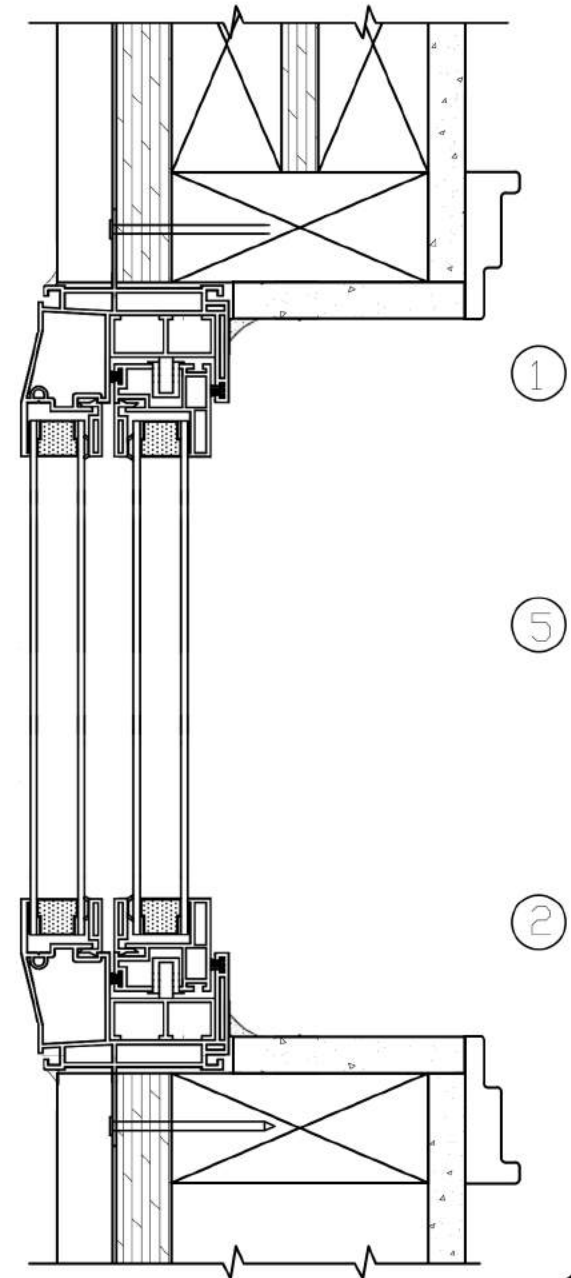


**Recommended Installation**

**Use of Shims & Expansion Foam Recommended As Needed**

**Actual Installation May Vary Based On Construction Application**

**Window System Design Property Of Quality Lineals USA, Inc.**



**NorthEast Windows USA, Inc.**  
**Quality Lineals USA, Inc.**  
1 Kees Place Merrick, NY 11566  
P: 516-378-6577 F: 516-868-3577  
**WWW.NORTHEASTWINDOWSUSA.COM**