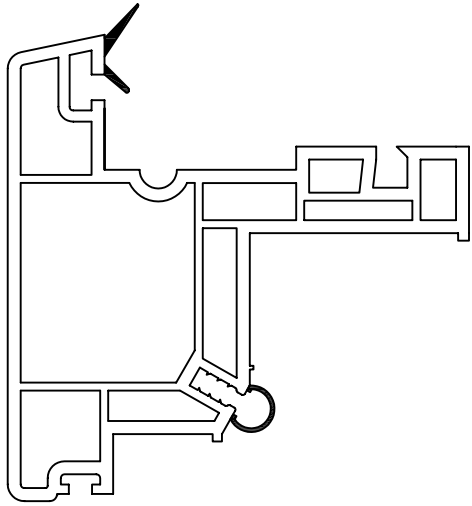
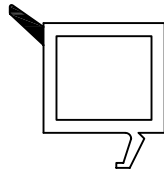


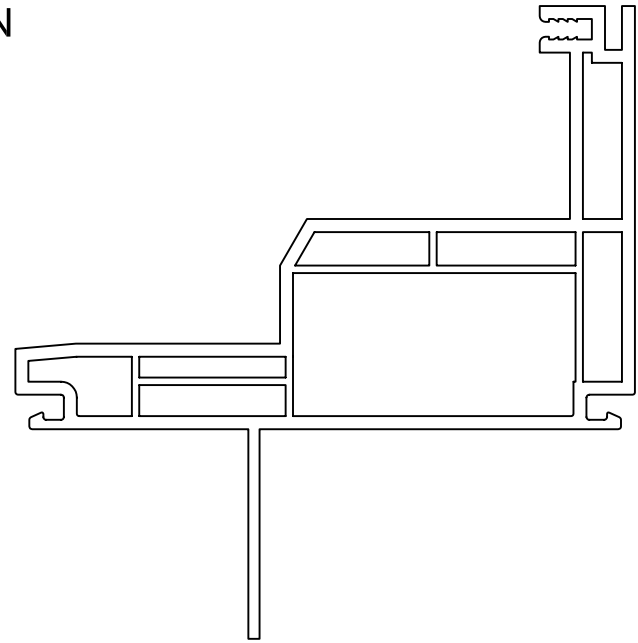
CASEMENT WELDED MF & SASH
NEW CONSTRUCTION



301
CASEMENT SASH
WELDED

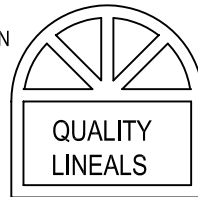


304
CASEMENT GLAZING BEAD
WELDED



7301
CASEMENT MAIN FRAME
WELDED

DRAWN
FOR



"OUR NAME SAYS IT ALL"

BY
DDS
DESIGNS

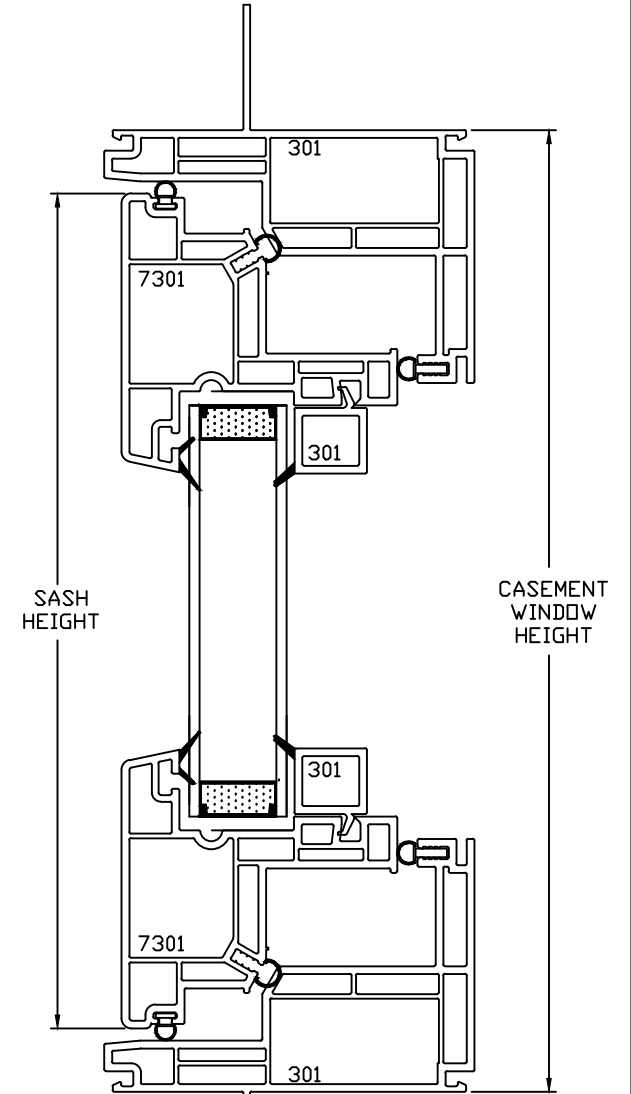
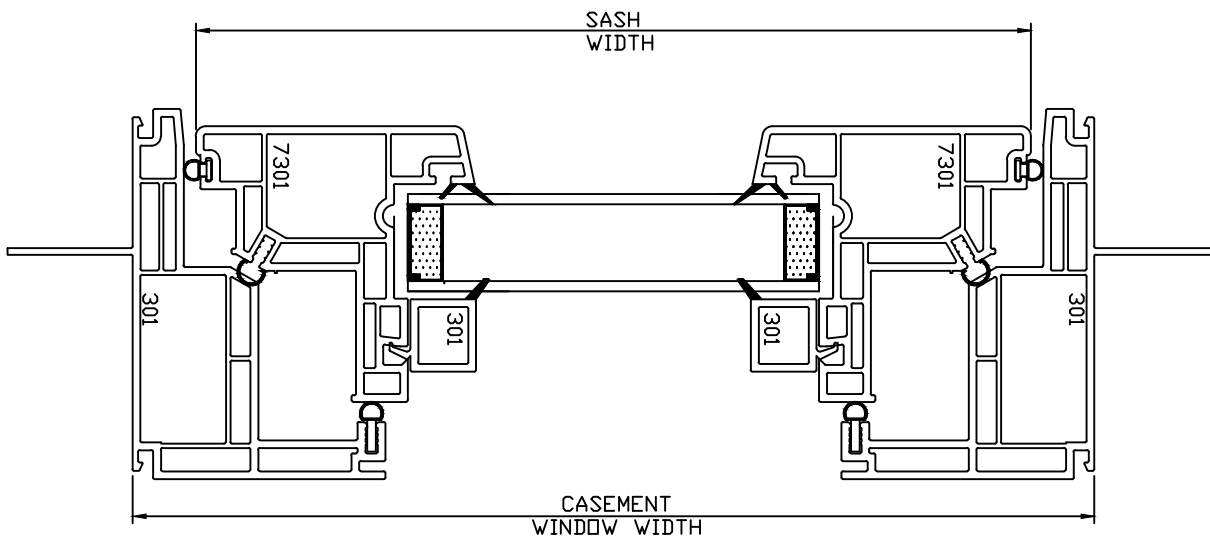


TITLE CASEMENT NEW CONSTRUCTION
WELDED MF & SASH

OWN BY DDS	SCALE	DATE 09-2-11	CHKD BY	APPD BY
---------------	-------	-----------------	---------	---------

COMPUTER NO

DWG NO C- PROFILE CHART 13



DO NOT SCALE DRAWING

NO.	REVISION	BY	DATE

☒ LOCATION FOR IMPACT TEST
SPECIFICATION—LENGTHS TO 3/8"

ALLOWABLE BOW MAX. 1" PER 14'
ANGULARITY TO BE ± 1/2°

DRAWN FOR

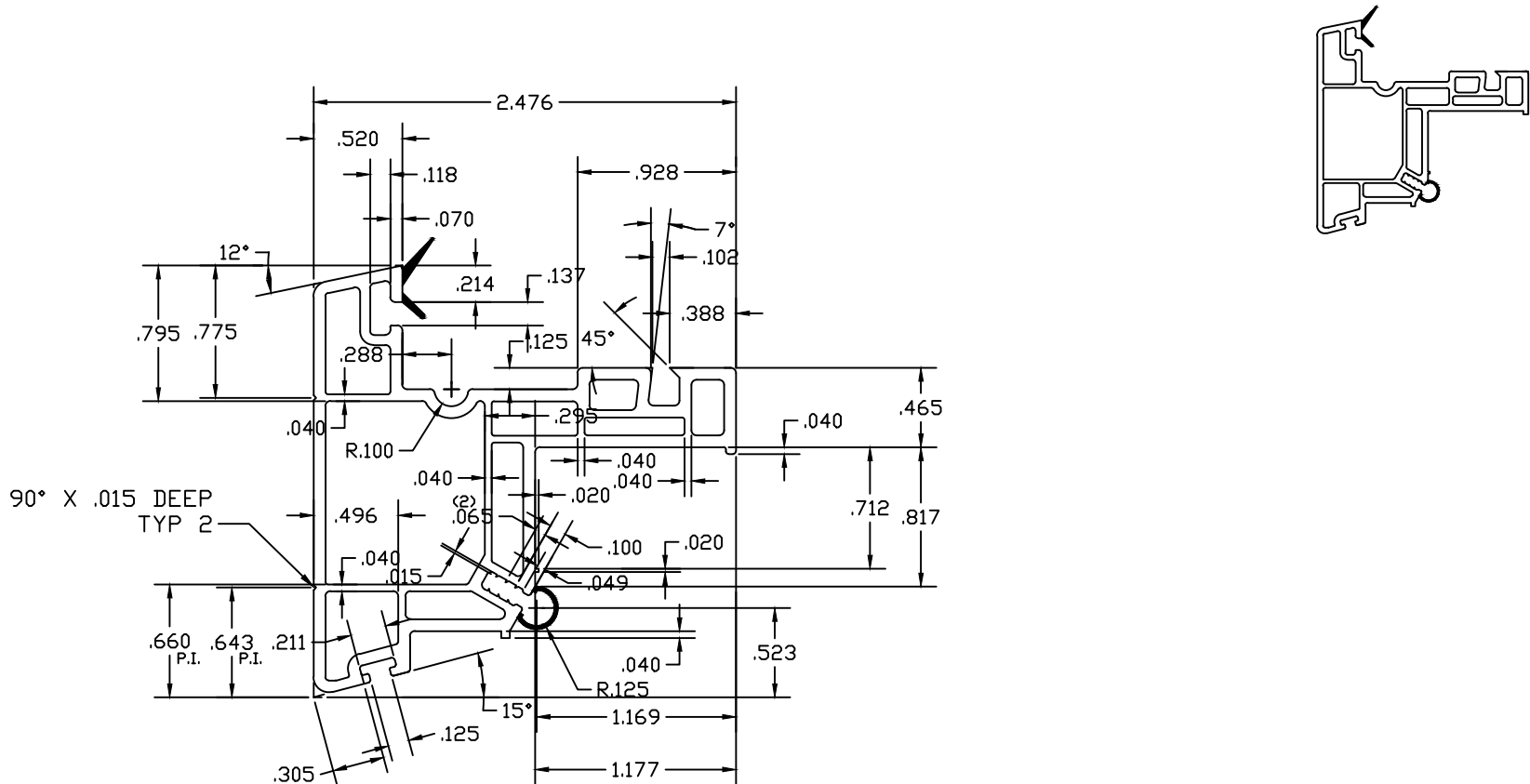
BY DDS
DESIGNS

"OUR NAME SAYS IT ALL"

- 1) MATERIAL RIGID PVC
- 2) CAPSTOCK
- 3) UNSPECIFIED WALLS
- 4) BREAK ALL CORNERS.....R
- 5) AREA SQ. IN.
- 6) WT/FT LBS/FT

TITLE CW390
WELD MAIN FRAME/WELDED SASH

DWN BY DDS	SCALE	DATE 02/28/12	CHKD BY	APPD BY
COMPUTER NO				
DWG NO CW390 CROSS SECTION				



DO NOT SCALE DRAWING

☒ LOCATION FOR IMPACT TEST
SPECIFICATION-LENGTHS TO 3/8"

ALLOWABLE BOW MAX. 1" PER 14'
ANGULARITY TO BE ± 1/2°

TOLERANCES- .XX ± .010
.XXX ± .005

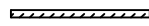
DRAWN FOR



QUALITY LINEALS

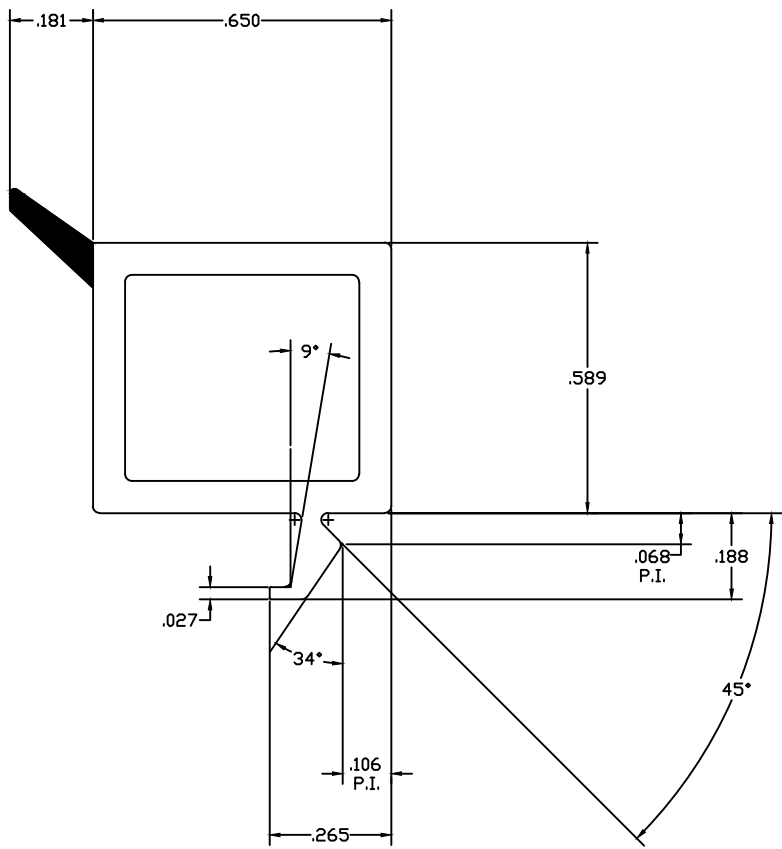
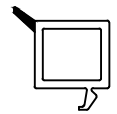
BY DDS
DESIGNS

"OUR NAME SAYS IT ALL"

- 1) MATERIAL RIGID PVC
- 2) CAPSTOCK 
- 3) UNSPECIFIED WALLS _____
- 4) BREAK ALL CORNERS .015 R
- 5) AREA SQ.IN. _____
- 6) WT/FT LBS/FT _____

TITLE CASEMENT SASH				
DWN BY	SCALE	DATE	CHKD BY	APPD BY
DDS	2:1	10-20-12		
COMPUTER NO				
DWG NO 7352				

NO.	REVISION	BY	DATE	



DO NOT SCALE DRAWING

LOCATION FOR IMPACT TEST SPECIFICATION—LENGTHS TO 3/8" ALLOWABLE BOW MAX. 1" PER 14' ANGULARITY TO BE ± 1/2°

DRAWN FOR

BY DDS DESIGNS

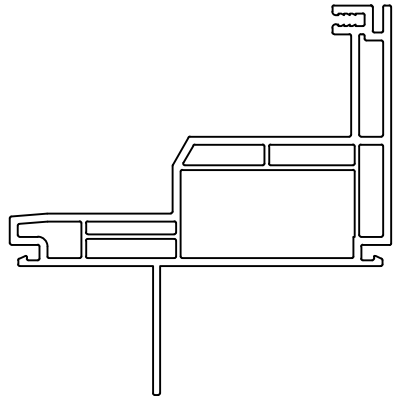
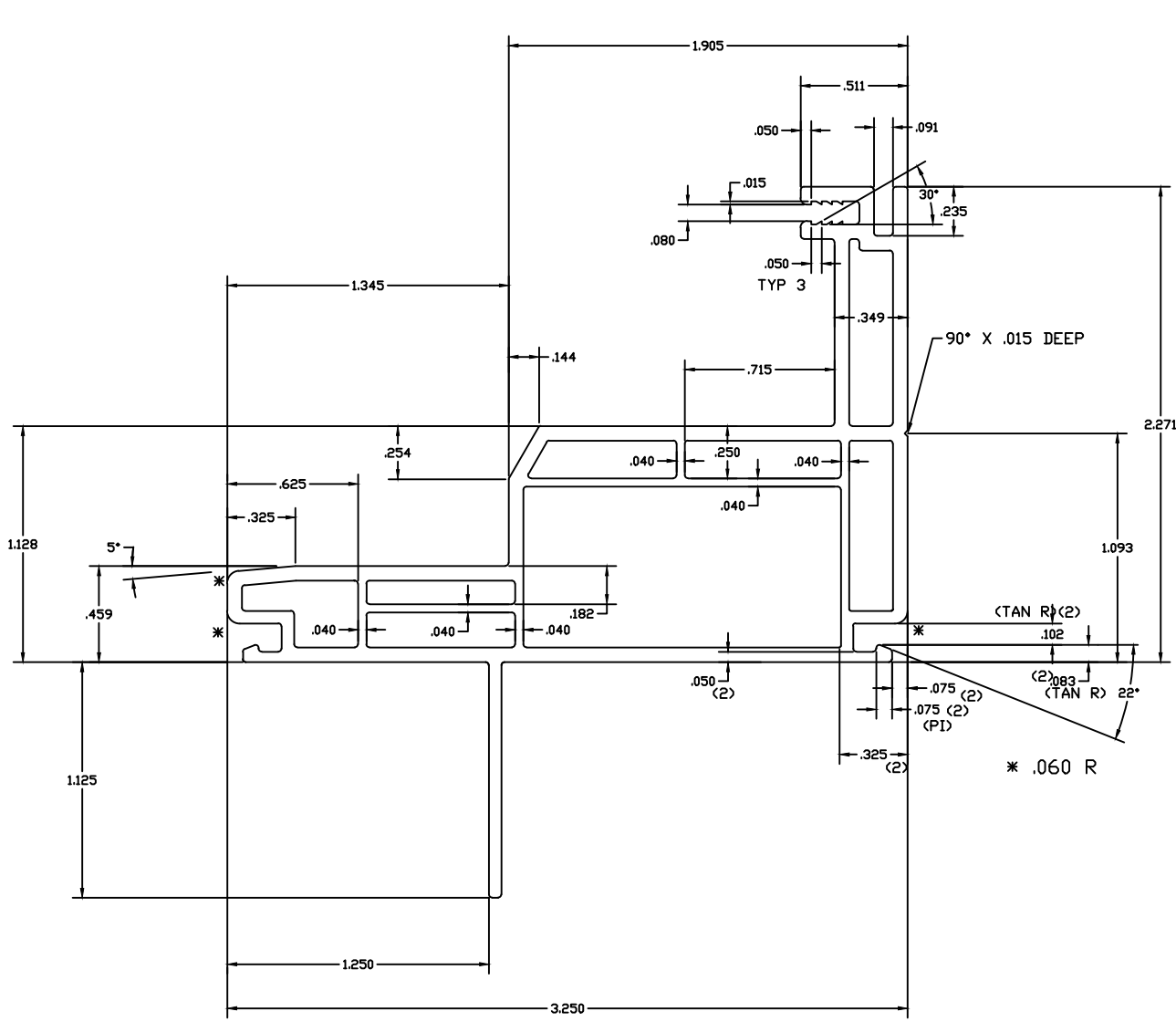
"OUR NAME SAYS IT ALL"

- 1) MATERIAL RIGID PVC
- 2) CAPSTOCK ~~.....~~
- 3) UNSPECIFIED WALLS
- 4) BREAK ALL CORNERS .015
- 5) AREA SQ.IN.
- 6) WT/FT LBS/FT

TITLE GLAZING BEAD

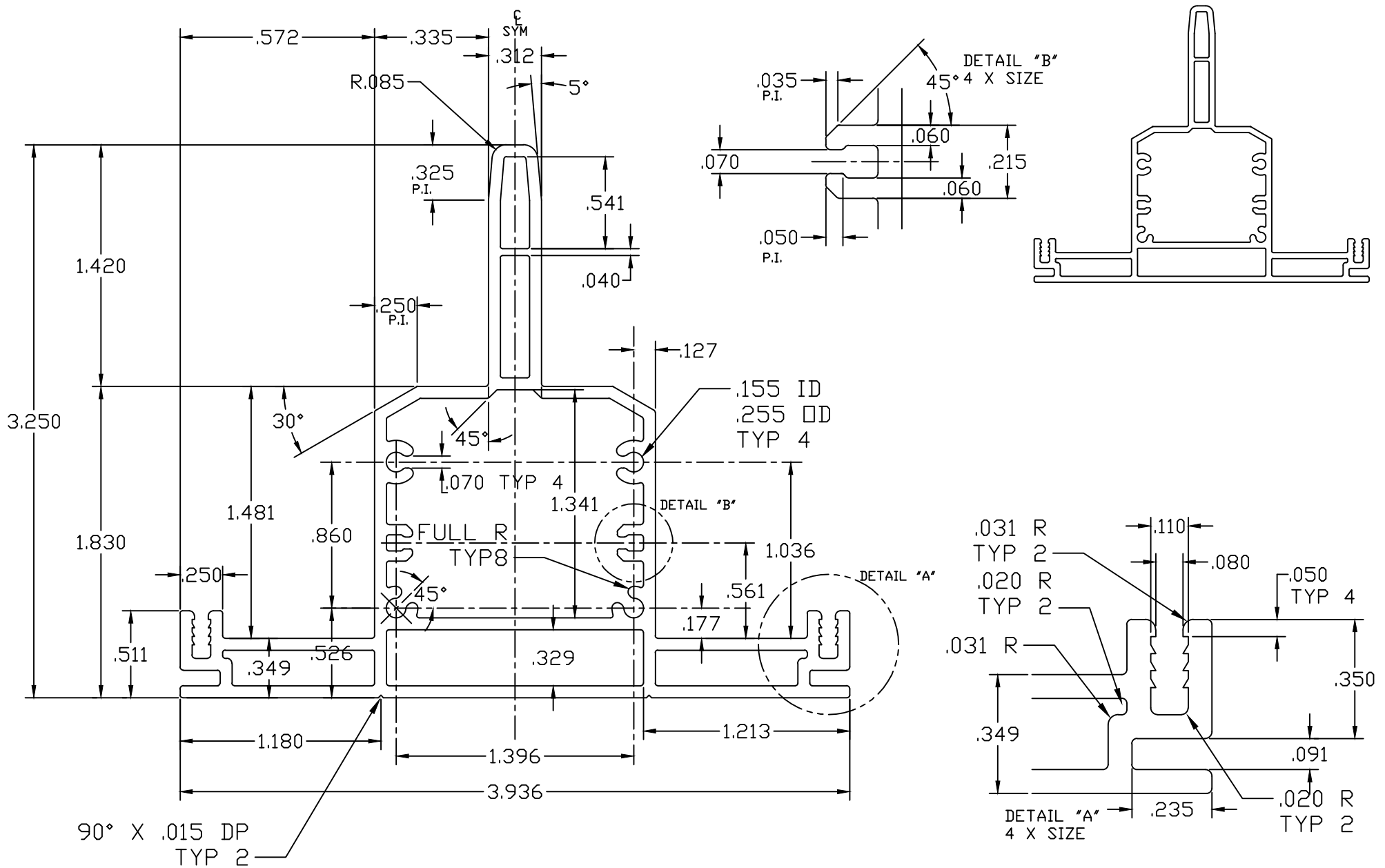
DWN BY DDS ^R	SCALE 2:1	DATE 10/28/12	CHKD BY	APPD BY
COMPUTER NO				
DWG NO		304		

NO.	REVISION	BY	DATE



DO NOT SCALE DRAWING

LOCATION FOR IMPACT TEST SPECIFICATION—LENGTHS TO 3/8"		ALLOWABLE BOW MAX. 1" PER 14' ANGULARITY TO BE ± 1/2°	
DRAWN FOR QUALITY LINEALS		BY DDS DESIGNS "OUR NAME SAYS IT ALL"	
1) MATERIAL RIGID PVC 2) CAPSTOCK 3) UNSPECIFIED WALLS 4) BREAK ALL CORNERS .015 R 5) AREA SQ. IN. 6) WT/FT LBS/FT		TITLE CASEMENT MAIN FRAME DWN BY DDS SCALE 2:1 DATE 1020/12 CHKD BY APPD BY COMPUTER NO	
NO. REVISION BY DATE		DWG NO 7301	



DO NOT SCALE DRAWING

NO.	REVISION	BY	DATE

☒ LOCATION FOR IMPACT TEST SPECIFICATION—LENGTHS TO 3/8"

ALLOWABLE BOW MAX. 1" PER 14' ANGULARITY TO BE ± 1/2°

DRAWN FOR

BY DDS DESIGNS

"OUR NAME SAYS IT ALL"

- 1) MATERIAL RIGID PVC
- 2) CAPSTOCK
- 3) UNSPECIFIED WALLS .060
- 4) BREAK ALL CORNERS .015 R
- 5) AREA 1.345 SQ.IN.
- 6) WT/FT .846 LBS/FT

TITLE CASEMENT MAIN FRAME "T" MULLION				
DWN BY DDS	SCALE 2:1	DATE 12 10 21	CHKD BY	APPD BY
COMPUTER NO				
DWG NO		7303		